

K4409 EXTENSION BRACKET FITTING INSTRUCTIONS

NOTE

When installed in accordance with these instructions, this component will provide the required degree of protection to the wearer in most type of accidents.

- The seat belt assembly and any accessories should be installed by a competent mechanic or an authorized seatbelt restraint fitter at an appropriate fitting station.
- These fitting instructions should be read carefully before commencing installation of belt.

EXTENSION BRACKET INFORMATION

- The Extension Bracket measures approximately (W) 40mm x (H) 160mm x (T) 3mm, as shown in Fig.1.
- Use the Extension bracket to attach the retractor as shown in Fig. 2.
- Where required the anchor plate can also be attached to the Extension bracket as shown. (Fig. 2).

WARNING!

- To the installer: Please read the whole of the instructions for installation carefully and consult APV Safety Products in the event of doubt as to the method of installation.
- Ensure that the correct installation diagram is followed for your particular vehicle.
- Install the belts directly in accordance with instructions to obtain maximum efficiency. Any deviation could adversely affect the performance of the belt in an accident.
- Any work carried out relating to the modification or creation of new structural seatbelt mounting points needs to be checked and approved by an authorized or qualified engineer.

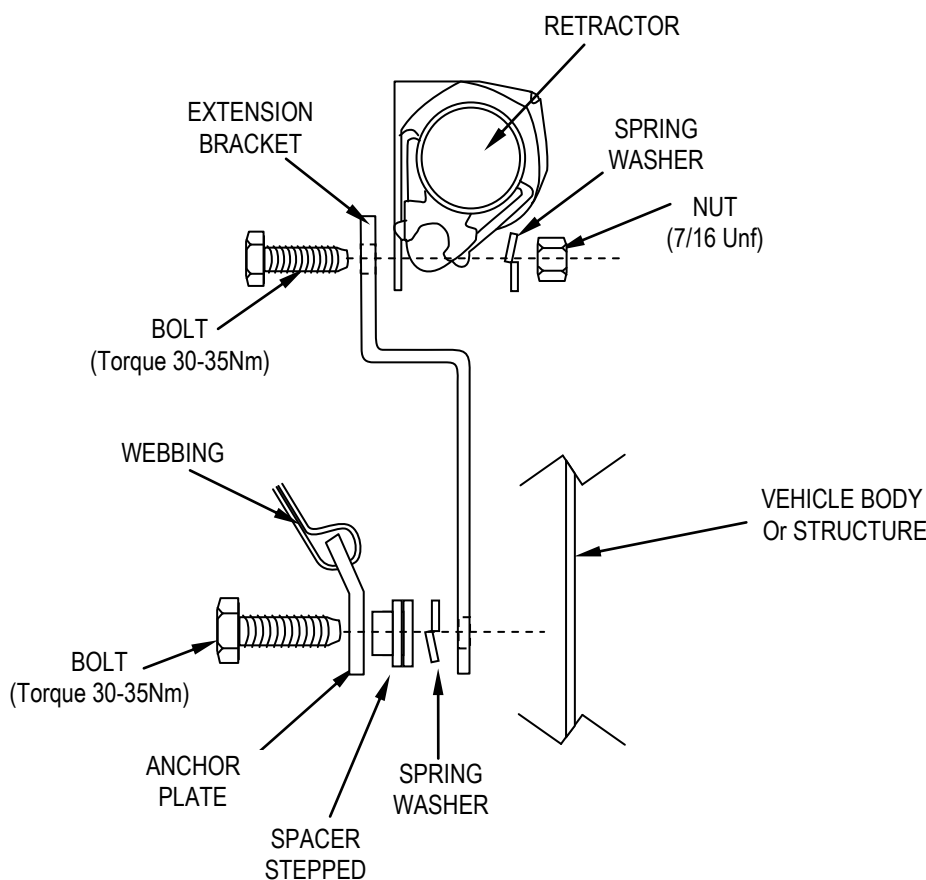


FIGURE 2

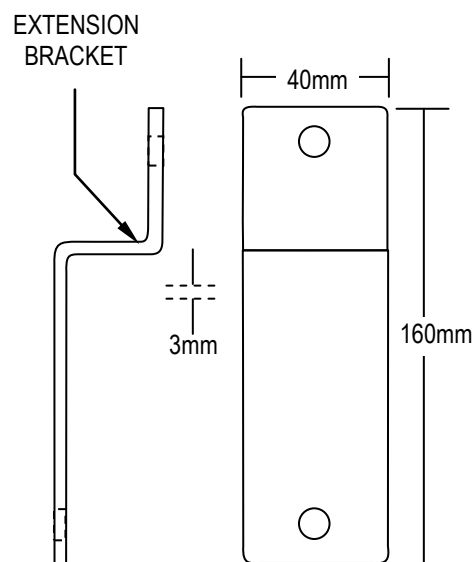


FIGURE 1