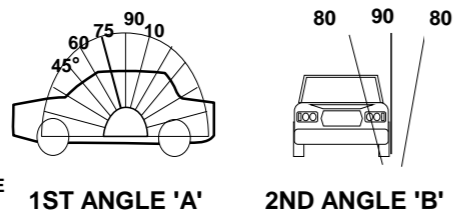
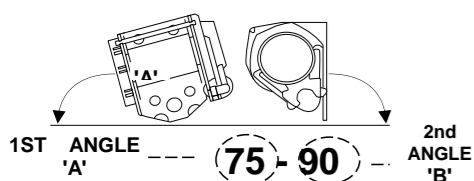


ISSUE DEC 2020

Retractor Angle and mounting		Seating position		STALK BUCKLES (flexible metal cable)											STEM BUCKLES				WEBBING BUCKLES			
				TUNNEL OR SEAT MOUNTED					FLOOR MOUNTED				SEAT MOUNTED				ADJUSTABLE		FIXED			
				250mm	300mm	350mm	400mm	450mm	250mm	300mm	350mm	400mm	115mm	135mm	170mm	210mm	150 mm - 610 mm	150 mm - 950 mm	190mm	275mm	425mm	500mm
90-90 ON pillar (Std 3.2M, Long 3.8M, Short 2.6M)	RH	K6241	K1512	K6242	K1513	K1514	K6244	K6246	K6248	K6250	K6252	K6253	K6254	K6255	K2255	K6256	K1515	K1639	K1638	K1980		
	LH						K6245	K6247	K6249	K6251												
90-90 ON pillar with Small Anchor (Std 3.2M, Long 3.8M, Short 2.6M)	RH	K7628	K7629	K7630	K7632	K7633	K7634	K7636	K7638	K7640	K7642	K7643	K7644	K7645	K7646	K7647	K7698	K7699	K8122	K8123		
	LH						K7635	K7637	K7639	K7641												
90-90 IN pillar (Std 3.2M, Long 3.8M, Short 2.6M)	RH	K4555	K4545	K4546	K4547	K6258	K4561	K4548	K4550	K4552	K4554	K6259	K4557	K6260	K4543	K6261	K8345	K4558	K8611	n/a		
	LH						K4560	K4549	K4551	K4553												
0-0 On top of parcel shelf (Std 2.6M, Long 3.2M, Short 2.0M)	RH	K6263	K2578	K6264	K6265	K2580	K6266	K6268	K6270	K6272	K6274	K6275	K6276	K6277	K2256	K6278	K1510	K1511	n/a	n/a		
	LH						K6267	K6269	K6271	K6273												
180-180 Under parcel shelf (Std 2.6M, Long 3.2M, Short 2.0M)	RH	K7205	K7206	K7207	K7208	K7209	K7210	K7212	K7214	K7216	K7218	K7219	K7220	K7221	K7222	n/a	n/a	K5186	n/a	n/a		
	LH						K7211	K7213	K7215	K7217												
80-90 IN pillar (Std 3.2M, Long 3.8M, Short 2.6M) Reverse of 100/90 IN Pillar	RH	K6281	K4525	K6283	K6287	K6289	K8728	K8730	K8732	K8734	K6299	K6301	K6303	K6305	K6307	K6309	K8613	K7727	K8615	n/a		
	LH	K6282	K4524	K6284	K6288	K6290	K8727	K8729	K8731	K8733	K6300	K6302	K6304	K6306	K6308	K6310	K8614	K7726	K8616	n/a		
100-90 IN pillar (Std 3.2M, Long 3.8M, Short 2.6M)	RH	K6282	K4524	K6284	K6288	K6290	K6292	K6294	K6296	K6298	K6300	K6302	K6304	K6306	K6308	K6310	K8614	K7726	K8616	n/a		
	LH	K6281	K4525	K6283	K6287	K6289	K6291	K6293	K6295	K6297	K6299	K6301	K6303	K6305	K6307	K6309	K8613	K7727	K8615	n/a		
80-90 ON pillar (Std 3.2M, Long 3.8M, Short 2.6M)	RH	K7176	K7178	K7180	K7182	K7184	K7186	K7188	K7190	K7192	K7194	K7196	K7198	K7200	K7202	n/a	n/a	K7724	n/a	n/a		
	LH	K7177	K7179	K7181	K7183	K7185	K7187	K7189	K7191	K7193	K7195	K7197	K7199	K7201	K7203	n/a	n/a	K7725	n/a	n/a		
100-90 ON pillar (Std 3.2M, Long 3.8M, Short 2.6M) Reverse of 80/90 ON Pillar	RH	K7177	K7179	K7181	K7183	K7185	K8736	K8738	K8740	K8742	K7195	K7197	K7199	K7201	K7203	n/a	n/a	K7725	n/a	n/a		
	LH	K7176	K7178	K7180	K7182	K7184	K8735	K8737	K8739	K8741	K7194	K7196	K7198	K7200	K7202	n/a	n/a	K7724	n/a	n/a		
75-90 ON pillar (Std 3.2M, Long 3.8M, Short 2.6M)	RH	K7650	K7652	K7654	K7656	K7658	K7660	K7662	K7664	K7666	K7668	K7670	K7672	K7674	K7676	K7678	n/a	K7700	K8194	n/a		
	LH	K7651	K7653	K7655	K7657	K7659	K7661	K7663	K7665	K7667	K7669	K7671	K7673	K7675	K7677	K7679	n/a	K7701	K8193	n/a		
105-90 ON pillar (Std 3.2M, Long 3.8M, Short 2.6M) Reverse of 75/90 ON Pillar	RH	K7651	K7653	K7655	K7657	K7659	K8744	K8746	K8748	K8750	K7669	K7671	K7673	K7675	K7677	K7679	n/a	K7701	K8193	n/a		
	LH	K7650	K7652	K7654	K7656	K7658	K8743	K8745	K8747	K8749	K7668	K7670	K7672	K7674	K7676	K7678	n/a	K7700	K8194	n/a		
75-90 IN pillar (Std 3.2M, Long 3.8M, Short 2.6M)	RH	K6314	K6316	K4532	K6480	K6482	K6484	K6486	K6488	K6490	K6492	K6494	K6496	K6498	K6500	K6502	K8618	K4538	n/a	n/a		
	LH	K6313	K6315	K4533	K6319	K6481	K6483	K6485	K6487	K6489	K6491	K6493	K6495	K6497	K6499	K6501	K8617	K4539	n/a	n/a		
105-90 IN pillar (Std 3.2M, Long 3.8M, Short 2.6M) Reverse of 75/90 IN Pillar	RH	K6313	K6315	K4533	K6319	K6481	K8752	K8754	K8756	K8758	K6491	K6493	K6495	K6497	K6499	K6501	K8617	K4539	n/a	n/a		
	LH	K6314	K6316	K4532	K6480	K6482	K8751	K8753	K8755	K8757	K6492	K6494	K6496	K6498	K6500	K6502	K8618	K4538	n/a	n/a		
60-90 ON pillar (Std 3.2M, Long 3.8M, Short 2.6M)	RH	K7226	K7228	K7230	K7232	K7234	K7236	K7238	K7240	K7242	K7244	K7246	K7248	K7250	K7252	n/a	n/a	K7730	n/a	n/a		
	LH	K7225	K7227	K7229	K7231	K7233	K7235	K7237	K7239	K7241	K7243	K7245	K7247	K7249	K7251	n/a	n/a	K7731	n/a	n/a		
60-90 IN pillar (Std 3.2M, Long 3.8M, Short 2.6M)	RH	K6506	K4522	K6508	K6512	K6514	K6516	K6518	K6520	K6522	K6524	K6526	K6528	K6530	K6532	K6534	K8676	K7728	n/a	n/a		
	LH	K6505	K4523	K6507	K6511	K6513	K6515	K6517	K6519	K6521	K6523	K6525	K6527	K6529	K6531	K6533	K8675	K7729	n/a	n/a		
40-90 ON pillar (Std 3.2M, Long 3.8M, Short 2.6M)	RH	K7256	K7258	K7260	K7262	K7264	K7266	K7268	K7270	K7272	K7274	K7276	K7278	K7280	K7282	n/a	K8492	K7148	n/a	n/a		
	LH	K7255	K7257	K7259	K7261	K7263	K7265	K7267	K7269	K7271	K7273	K7275	K7277	K7279	K7281	n/a	K8493	K7149	n/a	n/a		
40-90 IN pillar (Std 3.2M, Long 3.8M, Short 2.6M)	RH	K7286	K7288	K7290	K7292	K7294	K7296	K7298	K7300	K7302	K7304	K7306	K7308	K7310	K7312	n/a	n/a	K4530	n/a	n/a		
	LH	K7285	K7287	K7289	K7291	K7293	K7295	K7297	K7299	K7301	K7303	K7305	K7307	K7309	K7311	n/a	n/a	K4531	n/a	n/a		
45-90 Retractable Lap (Std 1.3M)	RH	K7316	K4286	K7318	K7320	K7322	K7324	K7326	K7328	K7330	K7332	K4282	K7334	K7336	K7338	n/a	K4298	K4302	n/a	n/a		
	LH	K7315	K4287	K7317	K7319	K7321	K7323	K7325	K7327	K7329	K7331	K4283	K7333	K7335	K7337	n/a	K4299	K4303	n/a	n/a		
60-90 Retractable Lap (Std 1.3M)	RH	K7342	K4288	K7344	K7346	K7348	K7350	K7352	K7354	K7356	K7358	K4284	K7360	K7362	K7364	n/a	K4300	K4304	n/a	n/a		
	LH	K7341	K4289	K7343	K7345	K7347	K7349	K7351	K7353	K7355	K7357	K4285	K7359	K7361	K7363	n/a	K4301	K4305	n/a	n/a		
Non Retractable Lap Sash Belt (Std 2.6M, Long 3.2M, Short 2.0M)	RH	K6536	K1517	K6537	K1518	K1519	K6540	K6542	K6546	K6548	K6549	K6550	K6551	K6552	K2257	K4542	K1516	K1635	K1634	K1979		
	LH						K6539	K6541	K6545	K6547												
Non Retractable Lap Belt (Std 1.2M, Long 1.8M, Short - N/A)	RH	K6554	K2581	K6555	K6556	K2583	K6558	K6560	K6562	K6564	K6565	K6566	K6567	K6568	K2258	K6569	K1981	K1637	K1636	K1978		
	LH						K6557	K6559	K6561	K6563												

RETRACTOR ANGLES

EXAMPLE



Important Notes :

- 1) All belts comply with AS/NZS2596
- 2) The seat belts listed in this table are Black. For Grey add "GY" e.g. KxxxxGY
- 3) Some installations may require bracket modifications. Please seek assistance of a suitably qualified tradesperson.
- 4) Longer belts are available. To order a longer belt, a "L" suffix should be added to the part number, e.g. KxxxxL.

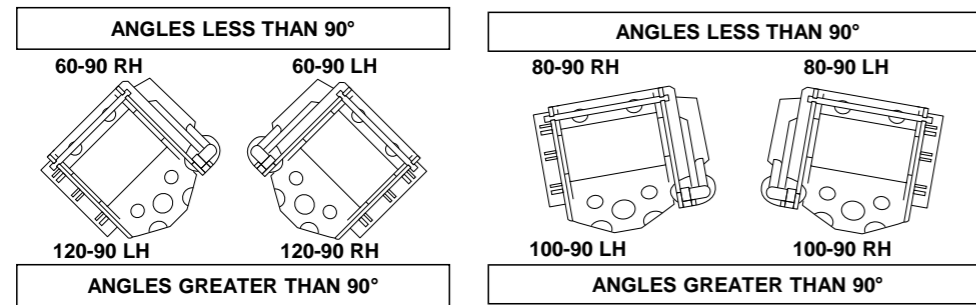
- 5) Shorter belts are available. To order a shorter belt, a "S" suffix should be added to the part number, e.g. KxxxxS.
- 6) Some on pillar and in pillar retractor applications may require a K4425 fitting kit.
- 7) If the sash guide is roof mounted a drop link is also required K7099S = 150mm and K7099 = 250mm.

FITTING INSTRUCTIONS:
RETRACTOR ANGLES:
ACCESSORIES:

1. Inspect the original seatbelt and determine the type of seatbelt required. (retractable or non retractable, mounted on or inside the pillar and retractor angle.

2. Select the belt from the list on the left hand side of the table, which closely matches the original seatbelt. Match the belt length and retractor angle to +/- 5 degrees. For retractor angles greater than 90° use a forward facing retractor from the other side of the car as per examples below.

80/90 RH = 100/90 LH & 80/90 LH = 100/90 RH
 75/90 RH = 105/90 LH & 75/90 LH = 105/90 RH
 60/90 RH = 120/90 LH & 60/90 LH = 120/90 RH
 40/90 RH = 140/90 LH & 40/90 LH = 140/90 RH



3. Measure the length of the original buckle (from the centre of the bolt hole on the anchor to the end of the buckle head)

4. Select a buckle from the top of the table which matches the original length and type of buckle. (Add or subtract up to 25mm to the length of the original buckle if necessary to obtain a match)

5. The "kit" number which matches the required belt and buckle is the part number required for your application.
 Eg. K7198 = 80/90 On Pillar (OP) RH with a 170mm stem

ABBREVIATIONS:

RH – Right Hand, drivers side of the vehicle
 LH – Left Hand, passenger side of the vehicle

90/90 is a vertically mounted retractor, seatbelt webbing leaves the retractor and extends vertically to the sash guide.

0/0 is a horizontally mounted retractor, usually mounted flat on top of the parcel shelf in rear seating positions. Can not be used for floor mounted applications.

180/180 is a horizontally mounted retractor, usually mounted flat under the parcel shelf in rear seating positions.

80/90 is a retractor that leans 10 degrees from vertical towards the front of the vehicle.

100/90 is a retractor that leans 10 degrees from vertical towards the rear of the vehicle.

75/90 is a retractor that leans forward 15 degrees from vertical towards the front of the vehicle.

60/90 is a retractor that leans forward 30 degrees from vertical towards the front of the vehicle.

40/90 is a retractor that leans 50 degrees from vertical towards the front of the vehicle.

K4400	80x 50 Doubler Plate Set
K4408	Right Angle Mount Plate
K4409	156x40 Stepped Offset Mount
K4410	68x45 Reverse Mount
K4414	75x32 Extension Bracket
K4415	75x32 Extension Bracket + Nut
K4416	78x32 Z Step Extension
K4417	100x40 Doubler Plate Set
K4418	140x40 Doubler Plate Set
K4425	Multi Fitting Kit
K6040	Box Retractor Cover
K6060	10 prs Tongue Button Stops
K6629	21mm Tongue Extension Strap
K8661	Wrap Cover for Retractor
K7099	250mm Dropper Kit
K7099S	150mm Dropper Kit
K8562	1/2"UNC Fit Kit - 2 piece
K8563	1/2"UNC Fit Kit - 3 piece
K8564	1/2"UNC Fit Kit - 4 piece

CHILD SEAT ACCESSORIES - (AS/NZS1754)
PART NUMBER REFERENCES

K = Auto Seatbelt Kit
KI = Industrial Kit (Not for Road)
KN = Kit with 4N ELR (Truck Seats)

UPPER TETHER STRAPS

Designed to be used in conjunction with Baby Capsules, Child Seats and Booster Seats These come in a range of fixed and adjustable lengths.

ANCHOR BOLT FITTING KIT Designed to secure the upper tether of the Child Seat or Booster in applications without OEM in-built anchorages.

CHILD SAFETY ACCESSORIES:

K3740 Upper Tether Strap 300mm
K3741 Upper Tether Strap 600mm
K1171 Upper Tether Strap, Adjustable 300mm - 1000mm
K1697 Child Seat Anchor, Bolt Kit

APV PREMIUM RANGE
CHECK WITH APV WEBSITE FOR UPDATES AND ADDITIONS