

# 100/90 ON PILLAR RETRACTOR FITTING INFORMATION

## NOTE

When installed in accordance with these instructions, this component will provide the required degree of protection to the wearer in most type of accidents.

- The seat belt assembly and any accessories should be installed by a competent mechanic or an authorized seatbelt restraint fitter at an appropriate fitting station.
- These fitting instructions should be read carefully before commencing installation of belt.

## RETRACTOR INSTALLATION

- The retractor mounts on a 100° (99-90) angle as shown in Fig.1.
- Attach the retractor as shown in Fig. 2. It designed to be mounted externally and not inside a cavity
- The lower anchor plate is attached to a separate Mounting point as shown in Fig. 2.
- **Right Hand (OB80/90) shown, with Left Hand (OB100/90) symmetrically opposite.**

## WARNING!

- To the installer: Please read the whole of the instructions for installation carefully and consult APV Safety Products in the event of doubt as to the method of installation.
- Ensure that the correct installation diagram is followed for your particular vehicle.
- Install the belts directly in accordance with instructions to obtain maximum efficiency. Any deviation could adversely affect the performance of the belt in an accident.
- Any work carried out relating to the modification or creation of new structural seatbelt mounting points needs to be checked and approved by an authorized or qualified engineer.

ALL ANGLED RETRACTORS ARE DESIGNATED AS RIGHT HAND OR LEFT HAND. THIS IS IN REFERENCE TO THE RETRACTOR AND NOT THE VEHICLES SEATING POSITION. THESE RETRACTORS CAN BE FITTED TO THE RIGHT HAND OR LEFT HAND SIDE OF THE VEHICLE DEPENDING ON THE VEHICLES REQUIREMENTS.

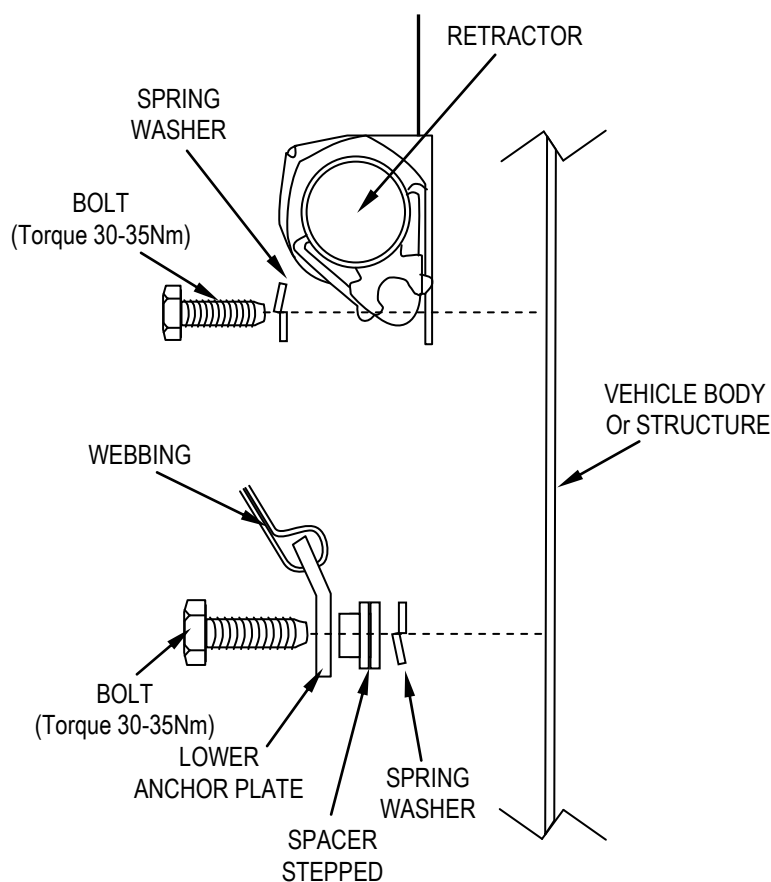


FIGURE 2

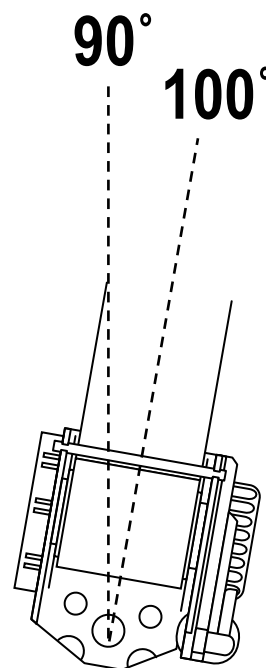


FIGURE 1