



GENERAL PURPOSE SEATBELT GUIDE

This is a general-purpose guide which includes labelled figures of various products and a short description for each figure. Please use this guide to familiarise yourself with the terminology and other important information before moving on to finding the right kit from the General-Purpose Seatbelt Matrix.

Table of Contents

Belt Configurations (IN-Pillar, ON-Pillar, Parcel Shelf)	2
Buckle Configurations (Tunnel Mounted, Seat Mounted, Floor Mounted)	3
Buckle Types and Bolt Assemblies (Stalk Buckle, Stem Buckle, Webbing Buckle)	4
Retractor Angles (90-90, 75-90, 100-90, 40-90)	5
Lap Belt vs Lap Sash Belt and Droplink	6
FAQ	7

GENERAL PURPOSE SEATBELT GUIDE

ON PILLAR

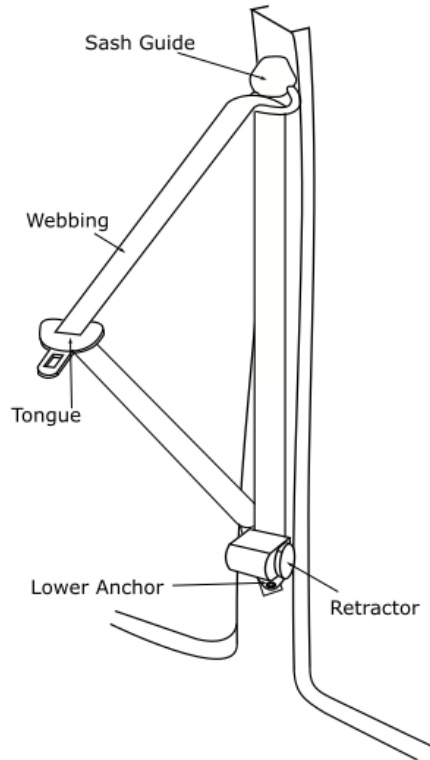


Figure 1.1 On Pillar Belt

IN PILLAR

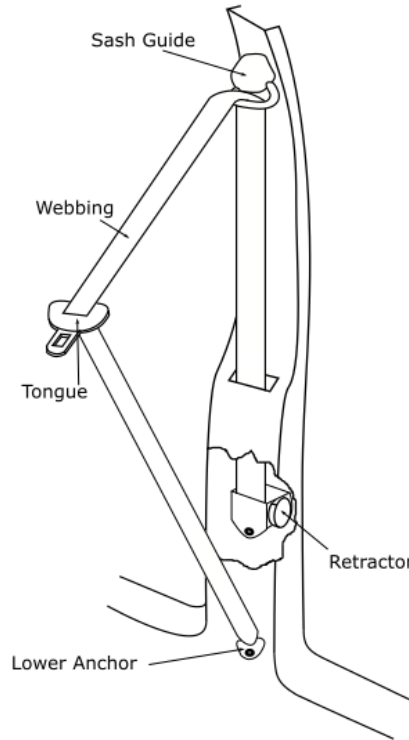


Figure 1.2 In Pillar Belt

PARCEL SHELF

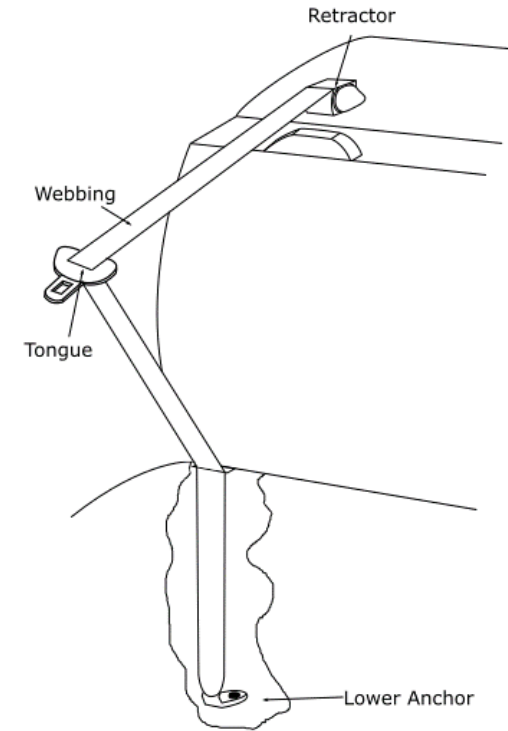


Figure 1.3 Parcel Shelf belt

DESCRIPTION:

Figures 1.1, 1.2 and 1.3 show different **mounting configurations of retractor belts**.

- Figure 1.1 shows an ON-pillar belt. The retractor is anchored so that it is flush onto the pillar and facing into the vehicle.
- Figure 1.2 shows an IN-pillar belt. The retractor is mounted inside the pillar facing outside the vehicle.
- Figure 1.3 shows an On top of parcel shelf belt. For the Under parcel shelf belt, the retractor would be upside down under the parcel shelf.

GENERAL PURPOSE SEATBELT GUIDE

STALK BUCKLE

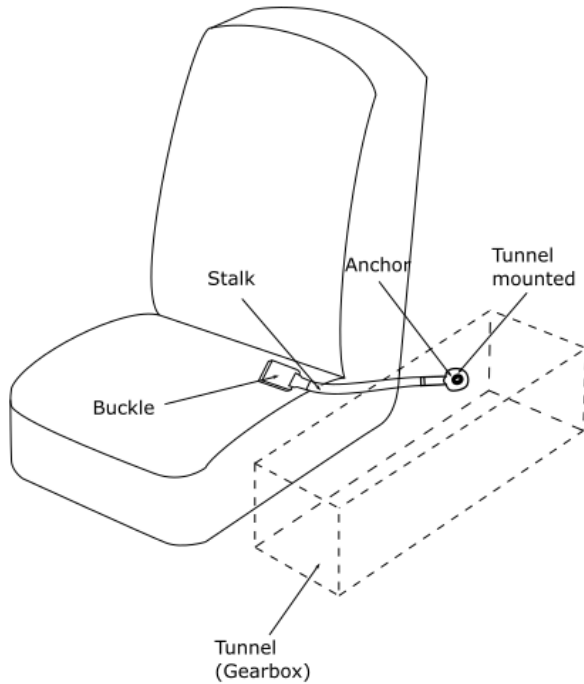


Figure 2.1 Stalk Buckle Tunnel Mounted

STEM BUCKLE

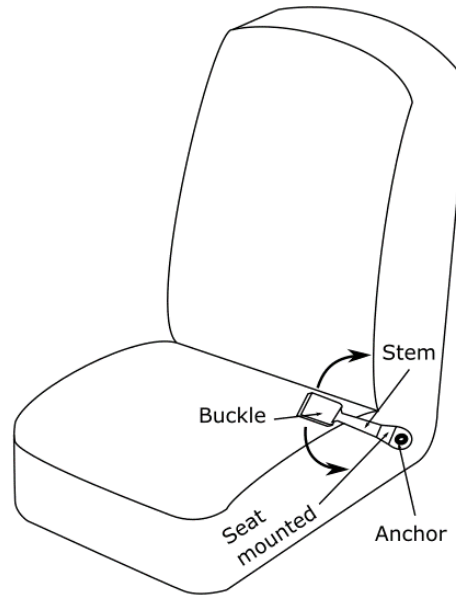


Figure 2.2 Stem Buckle Seat Mounted

WEBBING BUCKLE

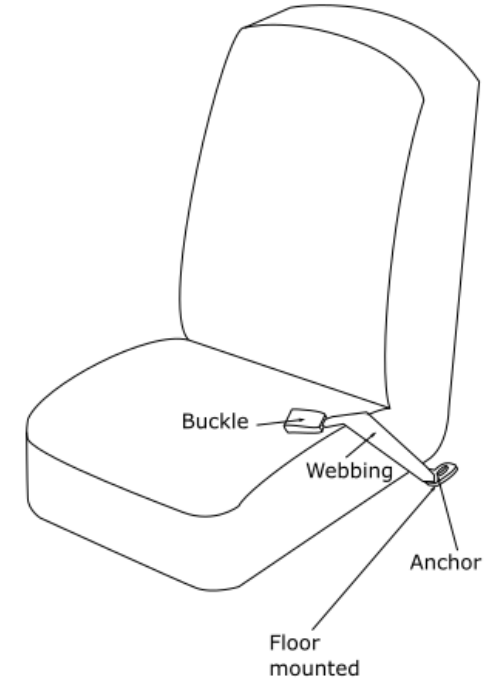


Figure 2.3 Webbing Buckle Floor Mounted

DESCRIPTION:

Figures 2.1, 2.2 and 2.3 show different **mounting configurations of buckles**.

- Figure 2.1 shows a tunnel mounted stalk buckle. It can also be seat mounted or floor mounted.
- Figure 2.2 shows a seat mounted stem buckle. The stem is rigid but can be rotated. It is usually seat mounted.
- Figure 2.3 shows a floor mounted webbing buckle. It is usually floor mounted. The drawing shows a single seat, but it is normally mounted in a bench seat.

GENERAL PURPOSE SEATBELT GUIDE

STALK BUCKLES

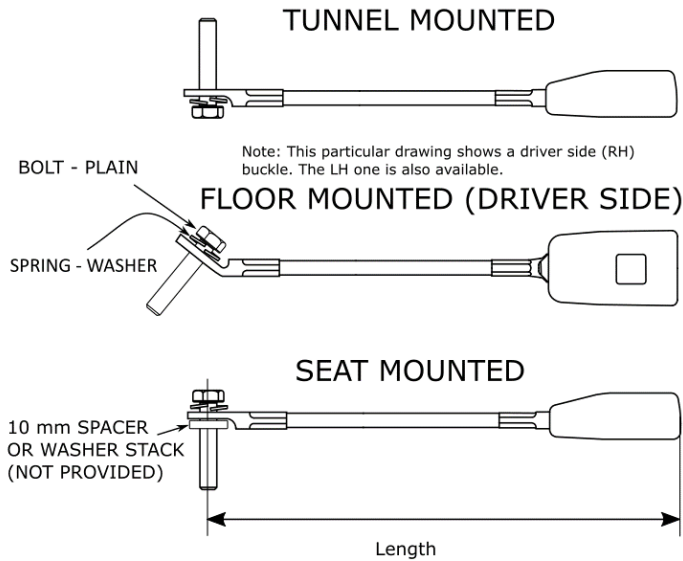
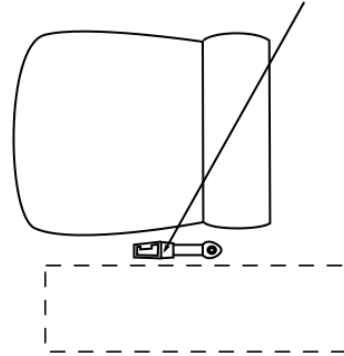


Figure 3.1 Stalk buckle bolt assembly

RH Stalk Buckle Driver side



LH Stalk Buckle Passenger side

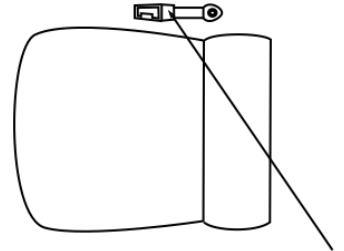


Figure 3.1.1 Floor Mounted Stalk Buckle RH & LH

STEM BUCKLE

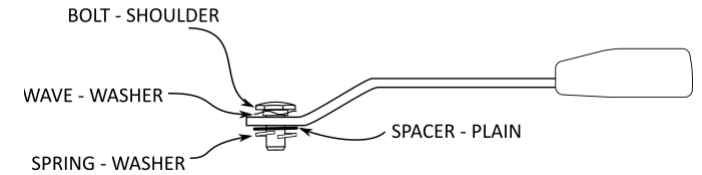


Figure 3.2 Stem buckle bolt assembly

WEBBING BUCKLE

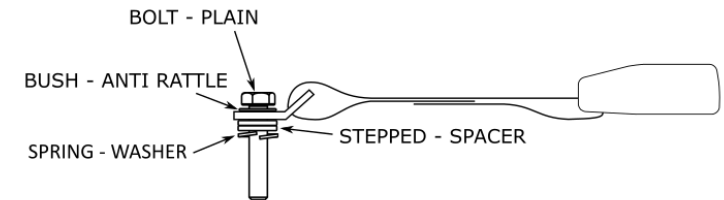


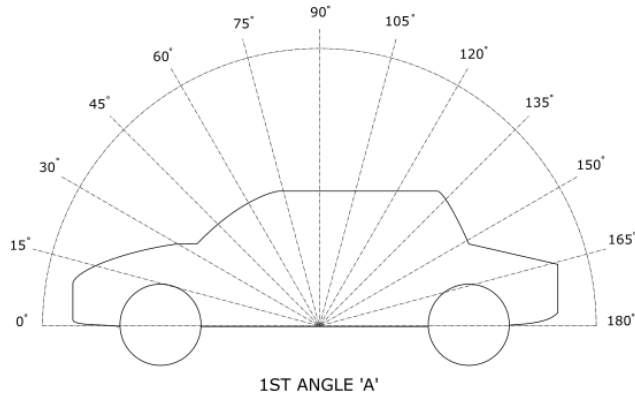
Figure 3.3 Webbing buckle bolt assembly

DESCRIPTION:

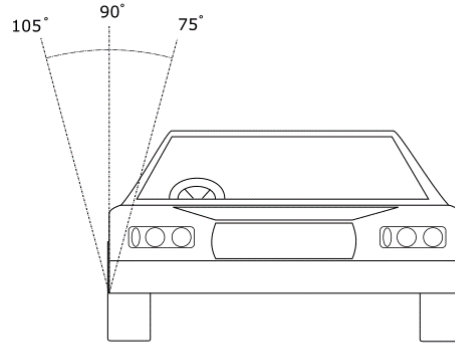
Figures 3.1, 3.2 and 3.3 show the **bolt assemblies for the buckles.**

- Figure 3.1 shows the different stalk buckles depending on where it is mounted, and their bolt assembly. The length is measured from the centre of the bolt hole to the end of the buckle where the button is located. This is true for all other types of buckles as well. The seat mounted stalk buckle is the same as the tunnel mounted one, however it requires a spacer or a washer stack to be mounted on a seat. Note that these are not provided in the kits.
- Figure 3.1.1 shows the position and orientation of the RH and LH floor mounted stalk buckle.
- Figure 3.2 shows a stem buckle and its bolt assembly.
- Figure 3.3 shows a webbing buckle and its bolt assembly.

GENERAL PURPOSE SEATBELT GUIDE



1ST ANGLE 'A'
Figure 4.1 1st retractor angle



2ND ANGLE 'B'

Figure 4.2 2nd retractor angle

DESCRIPTION:

Figures 4.1 to 4.6 show an explanation of the **retractor angles**.

- Figure 4.1 shows the first angle (eg the 1st number in **75-90**) being measured relative to the side view of the car.
- Figure 4.2 shows the second angle (eg the 2nd number in **75-90**) being measured relative to the front view of the car.
- Figure 4.3 to 4.6 show examples of common retractor angles. Back view of the retractor is shown on the left of each figure, and side view of the same retractor is shown on the right. The horizontal line which the angle is measured from is parallel to the ground.

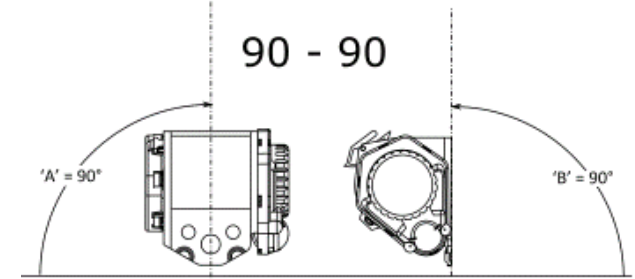


Figure 4.3 90-90 Retractor

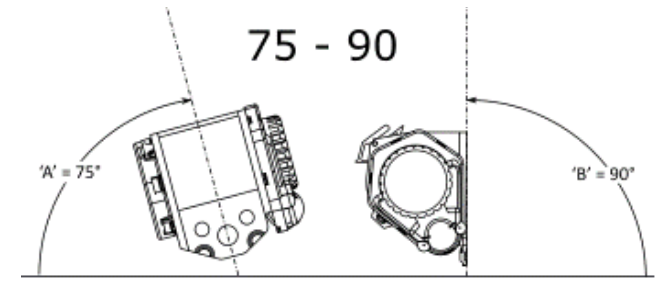


Figure 4.4 75-90 Retractor

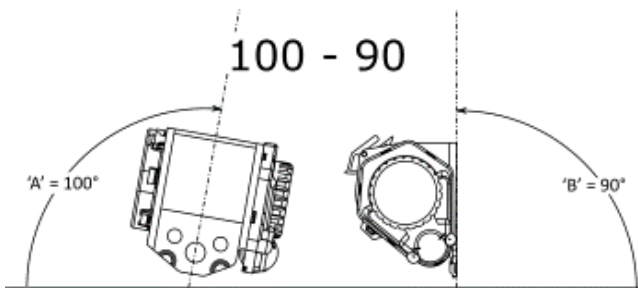


Figure 4.5 100-90 Retractor

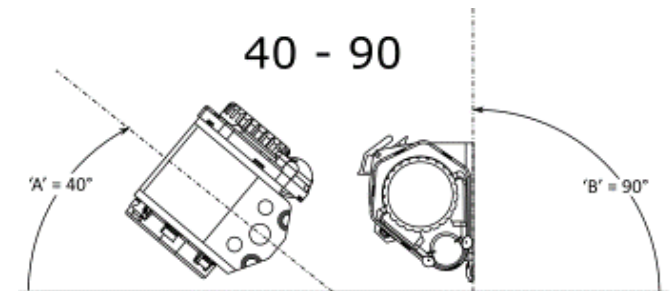


Figure 4.6 40-90 Retractor

GENERAL PURPOSE SEATBELT GUIDE

LAP SASH BELT

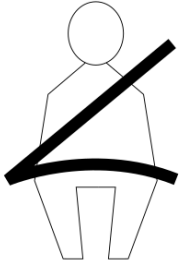


Figure 5.1 Lap Sash Belt

DESCRIPTION:

Figures 5.1 and 5.2 show **the difference between a lap sash belt and a lap belt**. As the name suggests, the lap belt goes over the lap, whereas the lap sash belt also covers the chest. 'A' = 90°

LAP BELT

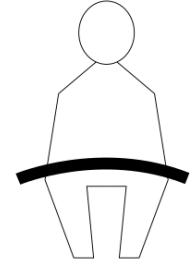


Figure 5.2 Lap Belt

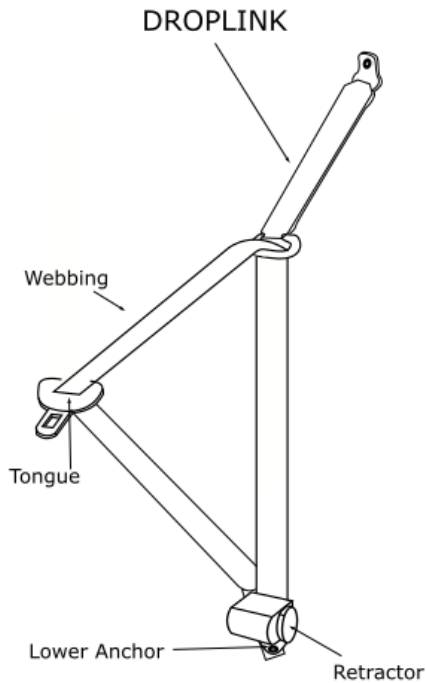


Figure 6.1 Droplink

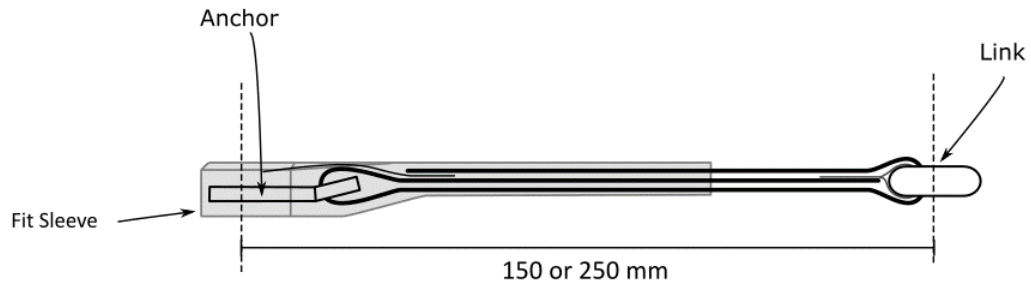


Figure 6.2 Droplink

DESCRIPTION:

Figure 6.1 and 6.2 shows a **droplink**.

- Figure 6.1 shows the droplink in an ON-pillar assembly. Note that the sash guide must be cut before installing the droplink.
- Figure 6.2 shows a side view of the droplink with labels. The length is measured from the centre of the bolt hole to the centre of the link.



GENERAL PURPOSE SEATBELT GUIDE

FAQ:

- Does it meet with the Australian Standard?
All general-purpose belts meet with AS/NZS2596. For more information please refer to: <http://www.apvsafetyproducts.com/australian-standards>
- How do I fit the seatbelt?
Each kit is different. Please follow the fitting instructions that comes with the kit.
- Where can I find fitting stations?
It depends on your location. Contact your local mechanic for more information.
- What are the different lengths of the seatbelts?
Please refer to the [General Purpose Seatbelt Matrix](#). The lengths of the belts are in parentheses under the belt type. The lengths of the buckles are in the 3rd row from the top.