



Actros Rigid range.

Mercedes-Benz
Trucks you can trust



The Mercedes-Benz Actros Rigid range.

The Mercedes-Benz Actros Rigid range impresses not only with a comfortable driver workplace, but also with precisely coordinated, job-matched vehicle configurations, impressive fuel savings compared with its predecessor, efficient technology and attractive service offers which increases the overall effectiveness further still.

Reliability. Operators who earn their money in road-bound goods transport need reliability. In other words: trucks they can count on. With the Actros Rigid range we are able to offer you a vehicle incorporating the rich fund of experience and expertise acquired over more than 100 years of German engineering. Equipped with leading Mercedes-Benz vehicle technology and components tested under the toughest conditions. This applies to engines, gearshifts, transmissions and drive axles as well as frames, chassis, suspension and cabs. Everything is perfectly coordinated, in order to meet all requirements reliably, even in extreme conditions.

Efficiency. Mercedes-Benz trucks stand for particularly high economic efficiency worldwide. The Actros Rigid range also meets the highest standards of efficiency, based first and foremost on its particularly low fuel consumption. Low wear and a higher resale value are additional merits contributing to its high overall economic efficiency. To this end, numerous innovative technical measures were implemented in the course of developing the Actros Rigid range. These result in engines with higher performance and lower fuel consumption, a powertrain which enables a particularly economical driving style, and an aerodynamic

design honed down to the finest details in the interest of fuel efficiency.

Versatility. Distribution transportation has its very own set of rules. This is why we have created the Actros Rigid range for distribution up to 26 t, to ensure that you are ideally placed to meet the challenges facing this sector. Our Actros Rigid range of models mean you have the perfect vehicle to meet the demands associated with distribution transport, general freight and other high volume transport requirements.



ClassicSpace L-cab, 2.30 m, tunnel 320 mm.

The comfortable 2300 mm-wide cab offers the driver an ergonomic, comfortable workplace and is ideally designed to meet the requirements of regional and interstate transport.

ClassicSpace M-cab, 2.30 m, tunnel 320 mm.

The 2300 mm-wide cab with 320 mm engine tunnel and 2000 mm length is suitable for almost every operation. Plenty of storage behind the seats and an option for a fold down bunk if needed.



Consumption. The economical Euro VI engines are available in two displacement classes 7.7 l and 10.7 l with a total of 5 power outputs from 220 kW (299 hp) to 335 kW (455 hp). In conjunction with the precisely tuned power-train configurations and the sophisticated aerodynamics, the Euro VI Mercedes-Benz engine achieves fuel savings compared with predecessor models.

Description	Vehicle 1	Vehicle 2	Vehicle 3	Vehicle 4	Vehicle 5	Vehicle 6	Vehicle 7
Segment	6x2 Rigid	6x2 Rigid	6x4 Rigid	6x4 Rigid	6x4 Rigid	6x4 Rigid	6x4 Rigid
Range	Actros	Actros	Actros	Actros	Actros	Actros	Actros
Model	2530	2535	2635	2640	2643	2646	2640
Wheelbase	5500	5500	5500	5500	5500	5500	5500
Drivetrain	6x2 Rigid	6x2 Rigid	6x4 Rigid	6x4 Rigid	6x4 Rigid	6x4 Rigid	6x4 Rigid
Engine	OM936	OM936	OM936	OM470	OM470	OM470	OM470
Engine power	299 hp	354 hp	354 hp	400 hp	430 hp	460 hp	400 hp
Cab	M-Cab ClassicSpace 2.3 320mm ET	M-Cab ClassicSpace 2.3 320mm ET	M-Cab ClassicSpace 2.3 320mm ET	M-Cab ClassicSpace 2.3 320mm ET	M-Cab ClassicSpace 2.3 320mm ET	M-Cab ClassicSpace 2.3 320mm ET	L-Cab ClassicSpace 2.3 320mm ET

Description	Vehicle 8	Vehicle 9
Segment	6x4 Rigid	6x4 Rigid
Range	Actros	Actros
Model	2643	2646
Wheelbase	5500	5500
Drivetrain	6x4 Rigid	6x4 Rigid
Engine	OM470	OM470
Engine power	430 hp	460 hp
Cab	L-Cab ClassicSpace 2.3 320mm ET	L-Cab ClassicSpace 2.3 320mm ET

Equipment Highlights.

Powertrain. Mercedes PowerShift 3 provides fast shifting from forward to reverse and high-ratio reverse gears for easy manoeuvring. Moving off is noticeably more comfortable thanks to the crawl function.

Rear axle guide. The innovative rear axle guide also plays a decisive role in the excellent handling: compared with a conventional wishbone, the connection points of the two trailing arms are positioned further towards the outside. This results in the best possible transverse stability, little need for corrective steering and very good understeer/oversteer characteristics.

Tank capacity. Actros Rigid range can be equipped with a tank capacity of up to 580 litres. This makes for a long operating range and saves money by avoiding the need to retrofit add-on tanks.

Suspension components. All the suspension elements in the Actros Rigid range are precisely tuned to one another: from the seats to the cab mountings to the 8-bellow air suspension at the rear axle – the overall result is a high degree of suspension comfort for the workplace and a ride which helps protect both the vehicle and its cargo.

Frame. The frames of the Actros Rigid range are uncompromisingly geared to use in distribution transport. The 834 mm wide track and the stable, assured design ensure good roadholding and comfortable handling. Other advantages include the 50 mm matrix of pre-drilled holes throughout as well as a large range of wheelbases, frame overhangs and end cross members.



Total Cost of Ownership.



Agility. The Mercedes-Benz Financial Agility Programme offers you a guaranteed buy back amount across the Actros Rigid range, giving you additional peace of mind, assurance and support from the Mercedes-Benz brand.

Agility is a finance solution that lets you take advantage of flexible terms, competitive rates and best of all, the Agility guaranteed buy back means when your agreement comes to an end, you have the option to trade, retain or return your Actros Rigid for the guaranteed buy back amount, subject to fair wear and tear conditions being met.

Protecting your investment in a new Actros Rigid has never been easier.*



Star Driver. The Mercedes-Benz Star Driver Program is a locally developed initiative which allows you to take full advantage of your vehicle's outstanding capabilities. When you purchase your new Mercedes-Benz Truck, you will have access to the program, providing you with one-on-one sessions designed to give you a full understanding of your vehicle's true capabilities, and how you can maximise its efficiency, safety and performance.



Maintenance. The information displayed in the cockpit provides you with advance warning when your vehicle's next maintenance visit is due. This is determined on the basis of the continuous evaluation of data about the actual workload of the vehicle: for example, every single cold start, the degree of brake pad wear, the condition of the engine oil and all major assembly oils. In this way, maintenance can be planned anticipatively and can be combined with statutory inspections, for example. This avoids additional downtime.

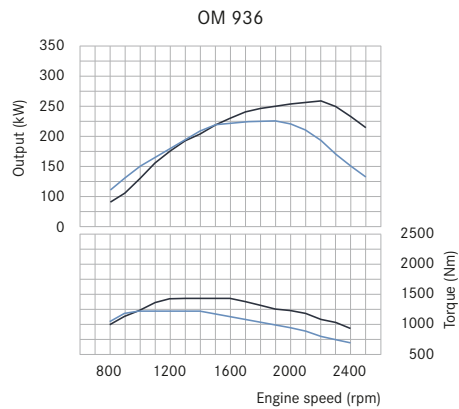


Mercedes-Benz Service Plans. From warranty extensions to maintenance packages to a comprehensive service package including wear items – the Mercedes-Benz graduated range of Service Plans offers flexible repair and maintenance products which are geared to your requirements and which allow you to plan monthly costs and make optimal use of your fleet's capacity.



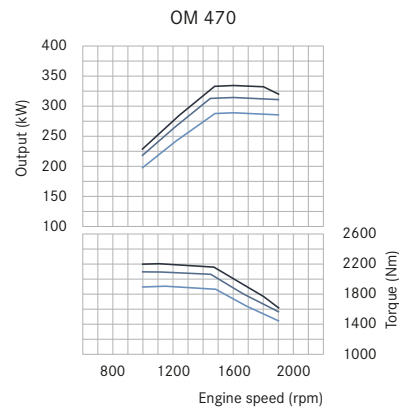
*Agility Finance is restricted to approved customers of Mercedes-Benz Financial Services Australia Pty Ltd ABN 73 074 134 517 and is subject to standard credit assessment and lending criteria. Please contact an authorised Mercedes-Benz dealer for further details and full terms and conditions (including vehicle eligibility). Guaranteed Future Value (GFV) is subject to Fair Wear and Tear return conditions and Excess Kilometre charges.

Engines and Cabs.



6-cylinder in-line, 7.7 l displacement

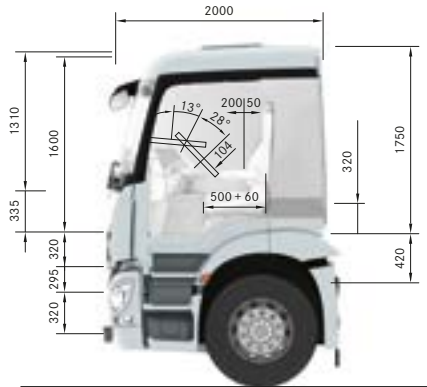
kW (hp)	Nm
at 2200 rpm	at 1200-1600 rpm
220 (299)	1200
260 (354)	1400



6-cylinder in-line, 10.7 l displacement

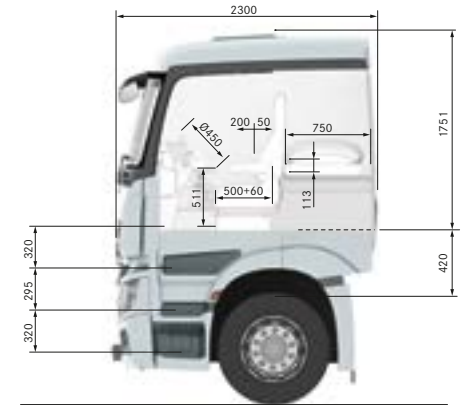
kW (hp)	Nm
at 1600 rpm	at 1100 rpm
290 (394)	1900
315 (428)	2100
335 (455)	2200

ClassicSpace M-cab
(exterior width 2300 mm, engine tunnel)



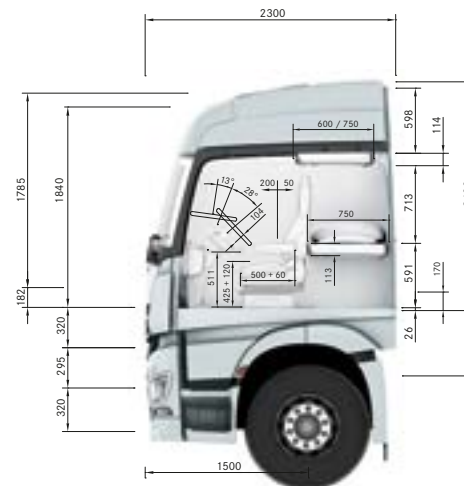
Engine tunnel: 320 mm
Headroom over engine tunnel: 1310 mm

ClassicSpace L-cab (2)
(exterior width 2300 mm, engine tunnel)



Engine Tunnel: 320 mm
Headroom over engine tunnel 1310 mm

StreamSpace L-cab



Engine tunnel: 320 mm
Headroom over engine tunnel: 1785 mm

Advantages at a glance.

Drive Train:

- Mercedes-Benz OM 936 7.7 litre engine and OM 470 10.7 litre engine options
- Fully automated 8 and 12 speed Mercedes-Benz PowerShift 3 transmission
- Fuel efficient single reduction axles
- Electronic Braking System incorporating ABS, Stability Control Assist, Hill Hold Assist and Traction Control

Cab:

- Mid cabs for day to day operation
- Sleeper cabs for regional or interstate operation
- Double zinc coated and cathodic dip priming for optimal corrosion protection
- Ergonomic cabs designed with the drivers needs in mind
- Aerodynamically tested and designed for optimal efficiency on the road

Value Add Services:

- 4 year, 800,000 km driveline warranty
- 2 year, unlimited km bumper to bumper warranty
- 5 year, 500,000km complimentary BestBasic Service Plan[~]



Oversaes model shown

[~] Offer subject to change. Contact your local authorised Dealer for further information.

Please note: changes may have been made to the products since this brochure went to press (May 2017). Contact your local authorised Mercedes-Benz Trucks Dealership for further information.
www.mercedes-benz.com.au/trucks