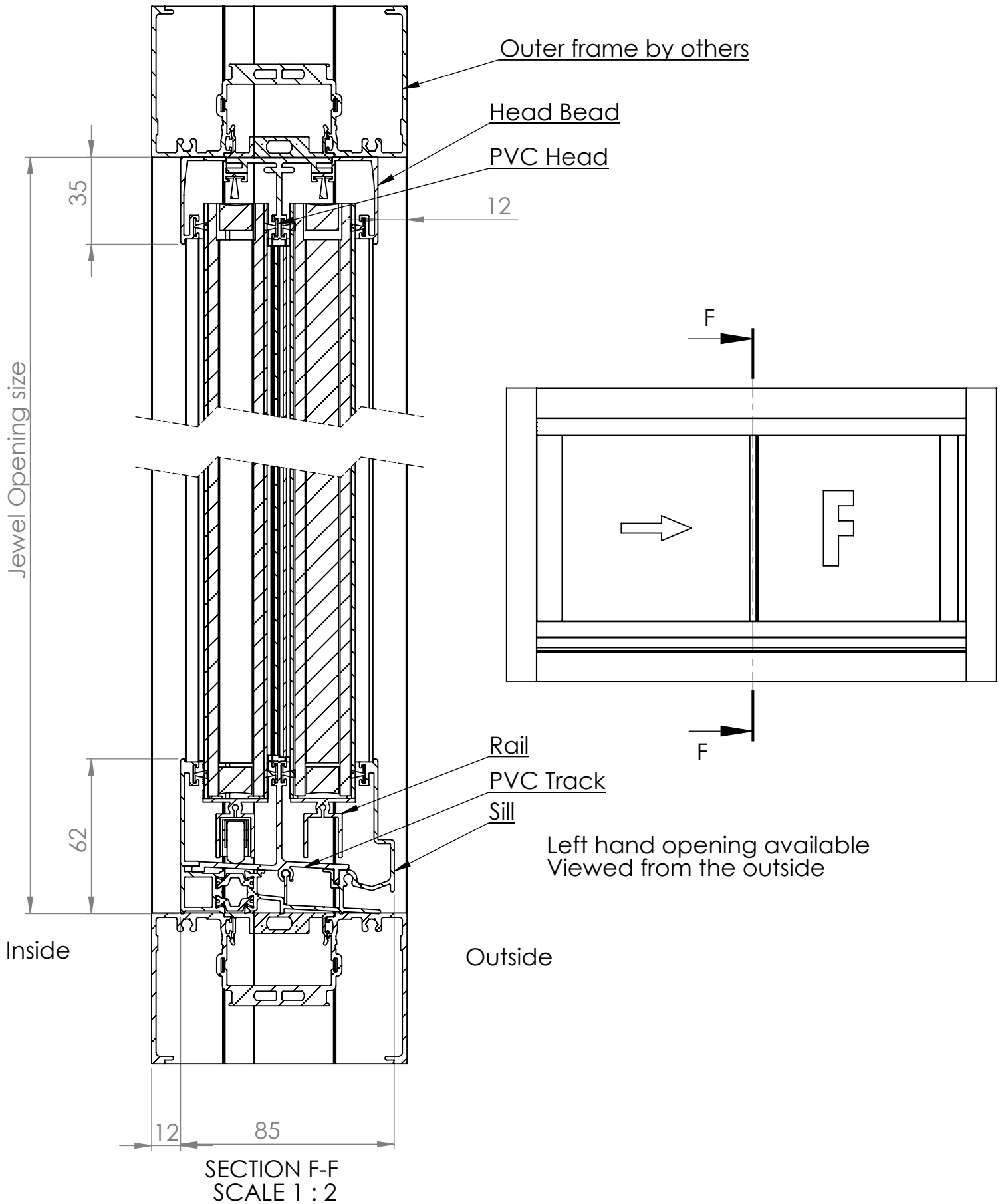
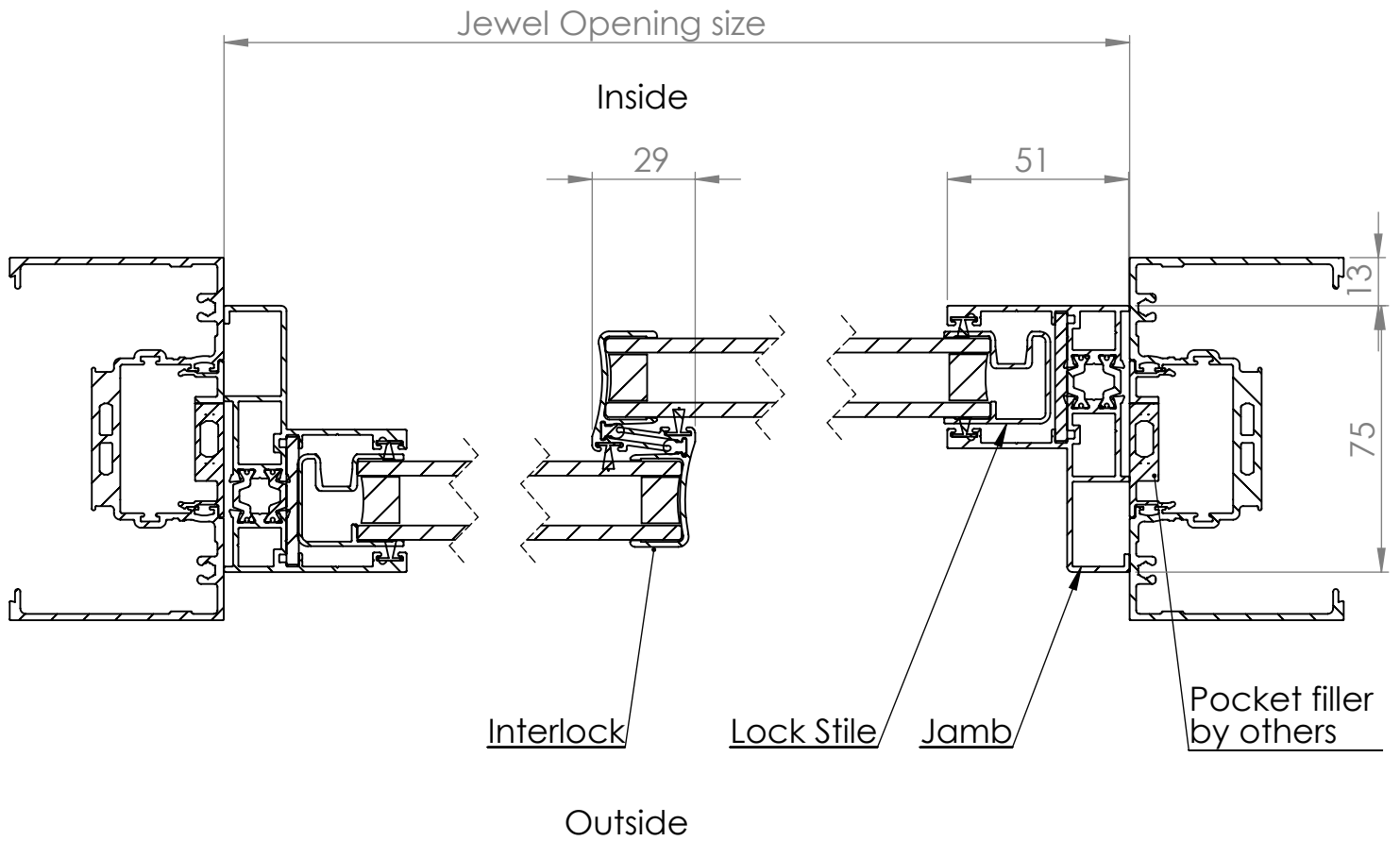
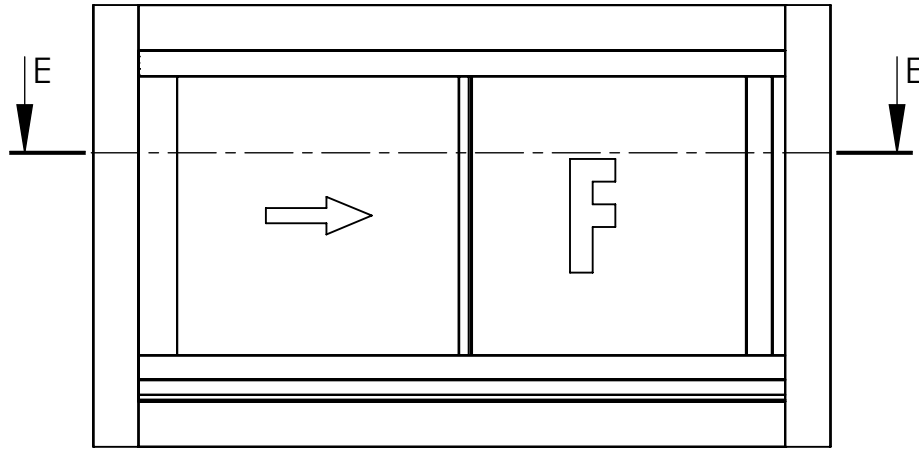


Topaz 22mm Assembly 2PHRF



| | | | | | |
|---------|--|----------|---|--------------|------------|
| DATE | 27/8/20 | REVISION | 3 | | A4 |
| DWG NO. | For technical assistance contact (03) 97708708 | | | SHEET 1 OF 2 | SCALE:1:10 |

Topaz 22mm Assembly 2PHRF



SECTION E-E
SCALE 1 : 2

| | | | | | |
|---------|--|----------|---|--------------|------------|
| DATE | 27/8/20 | REVISION | 3 | | A4 |
| DWG NO. | For technical assistance contact (03) 97708708 | | | SHEET 2 OF 2 | SCALE:1:10 |