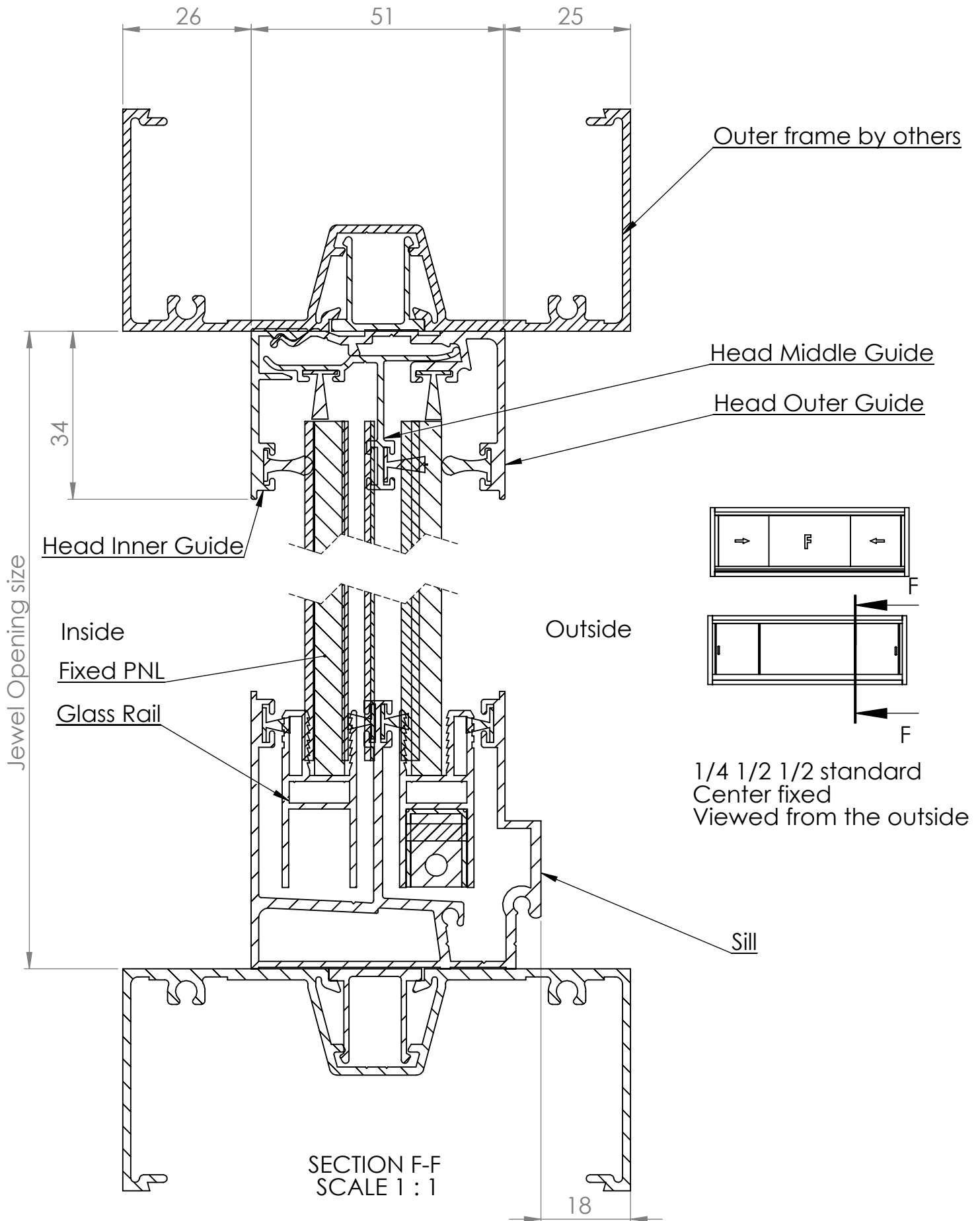
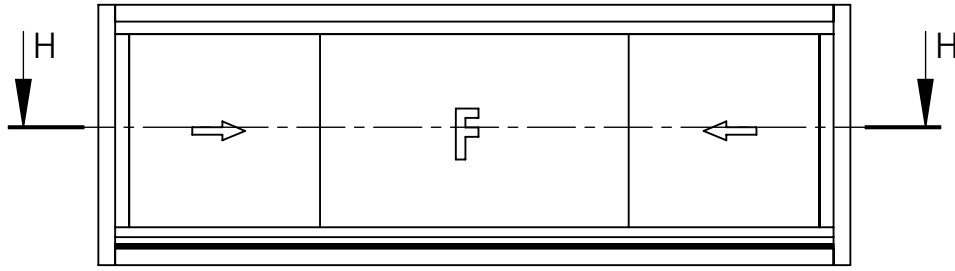


# Quartz 6mm Slider Assembly 3PHMF

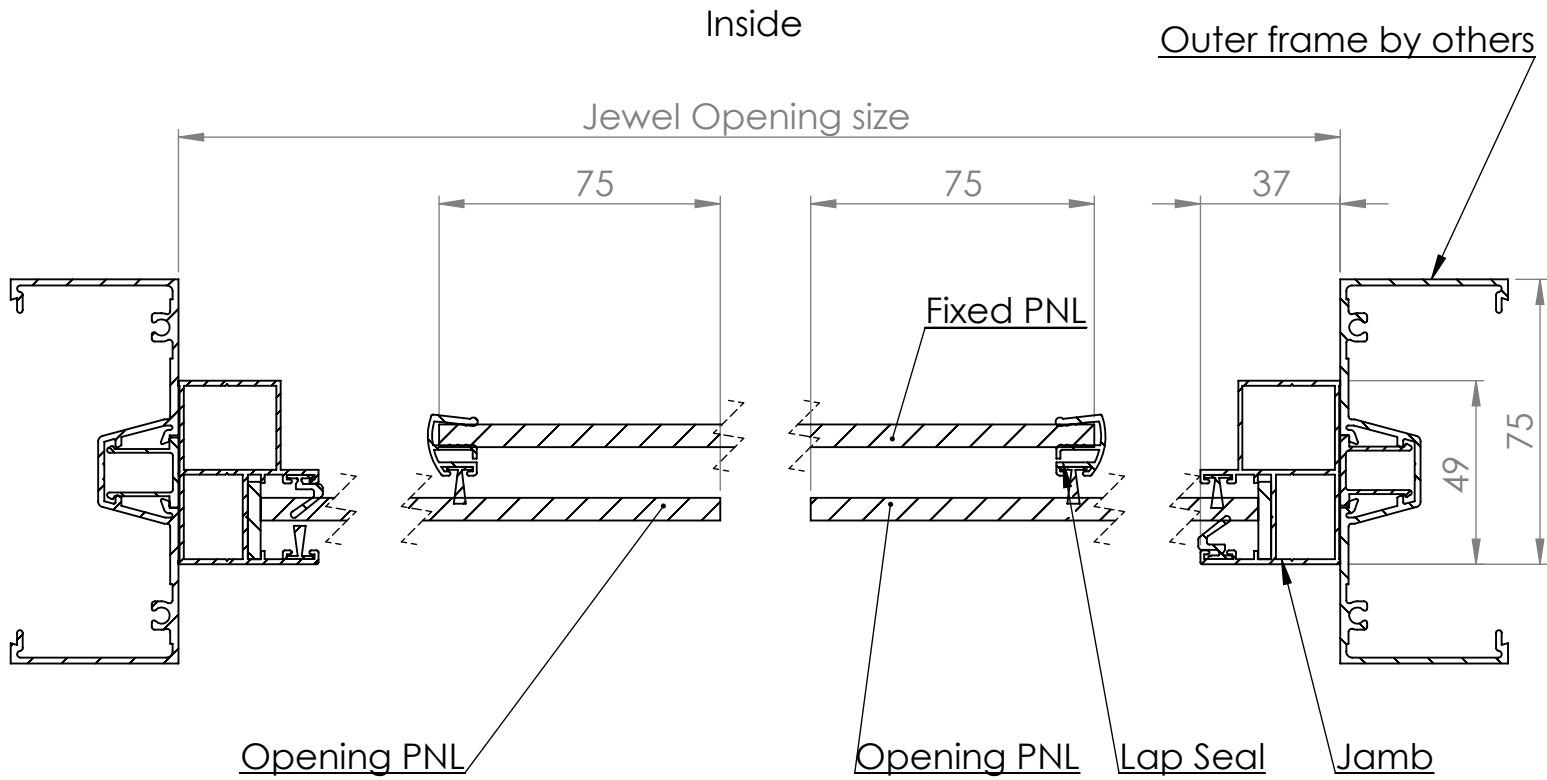


DATE	25/9/20	REVISION	3		A4
DWG NO.	For technical assistance contact (03) 97708708			SHEET 1 OF 2	SCALE:1:10

# Quartz 6mm Slider Assembly 3PHMF



1/4 1/2 1/2 standard  
Center fixed  
Viewed from the outside



Inside

Outer frame by others

Jewel Opening size

75

Fixed PNL

75

37

75

49

Opening PNL

Opening PNL

Lap Seal

Jamb

Outside

SECTION H-H

SCALE 1 : 2