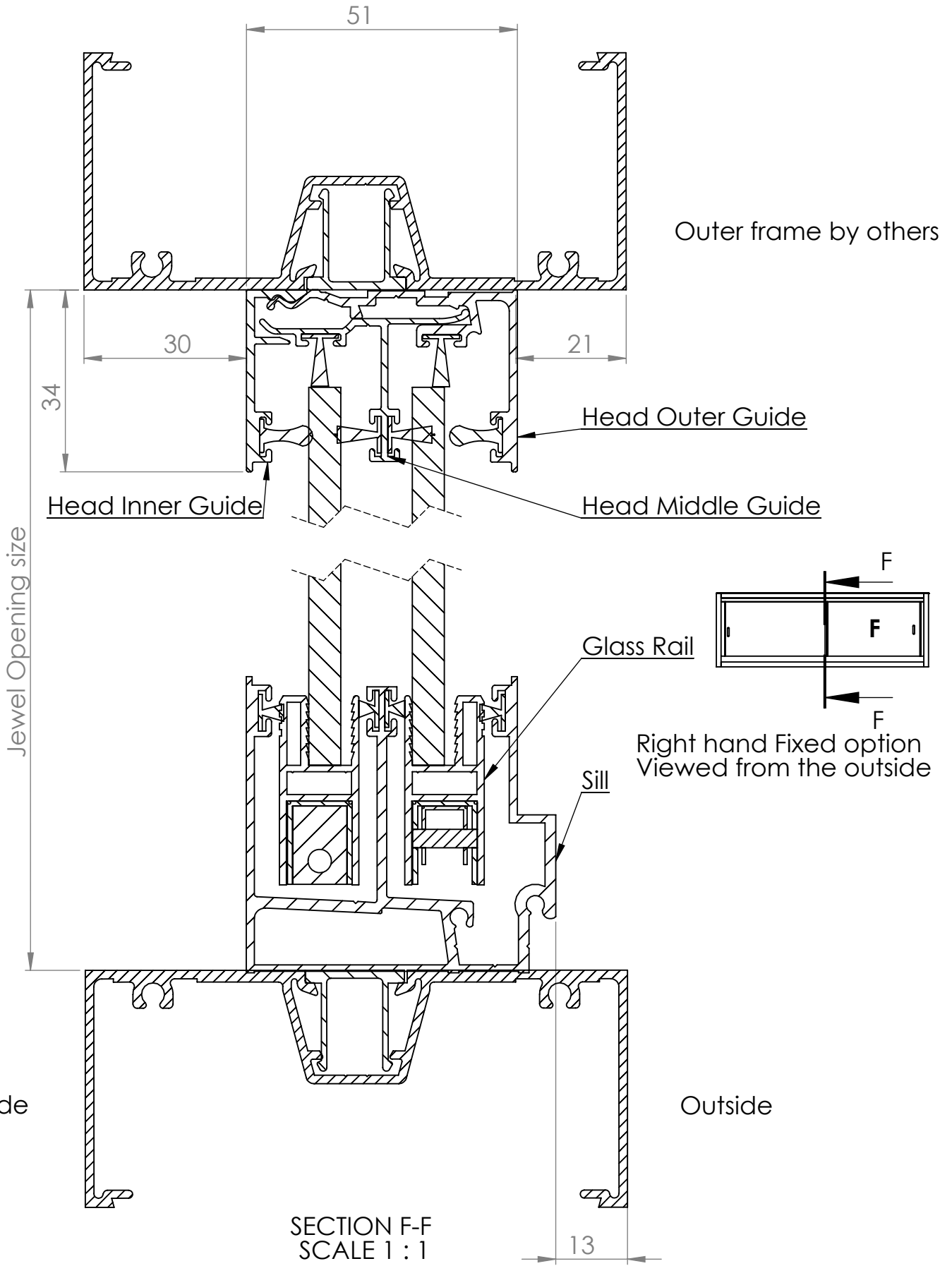


# Quartz 6mm Slider Assembly 2PHRF



DATE	18/6/20	REVISION	3		A4
DWG. NO.	For technical assistance contact (03) 97708708			SHEET 1 OF 2	SCALE:1:10

# Quartz 6mm Slider Assembly 2PHRF

