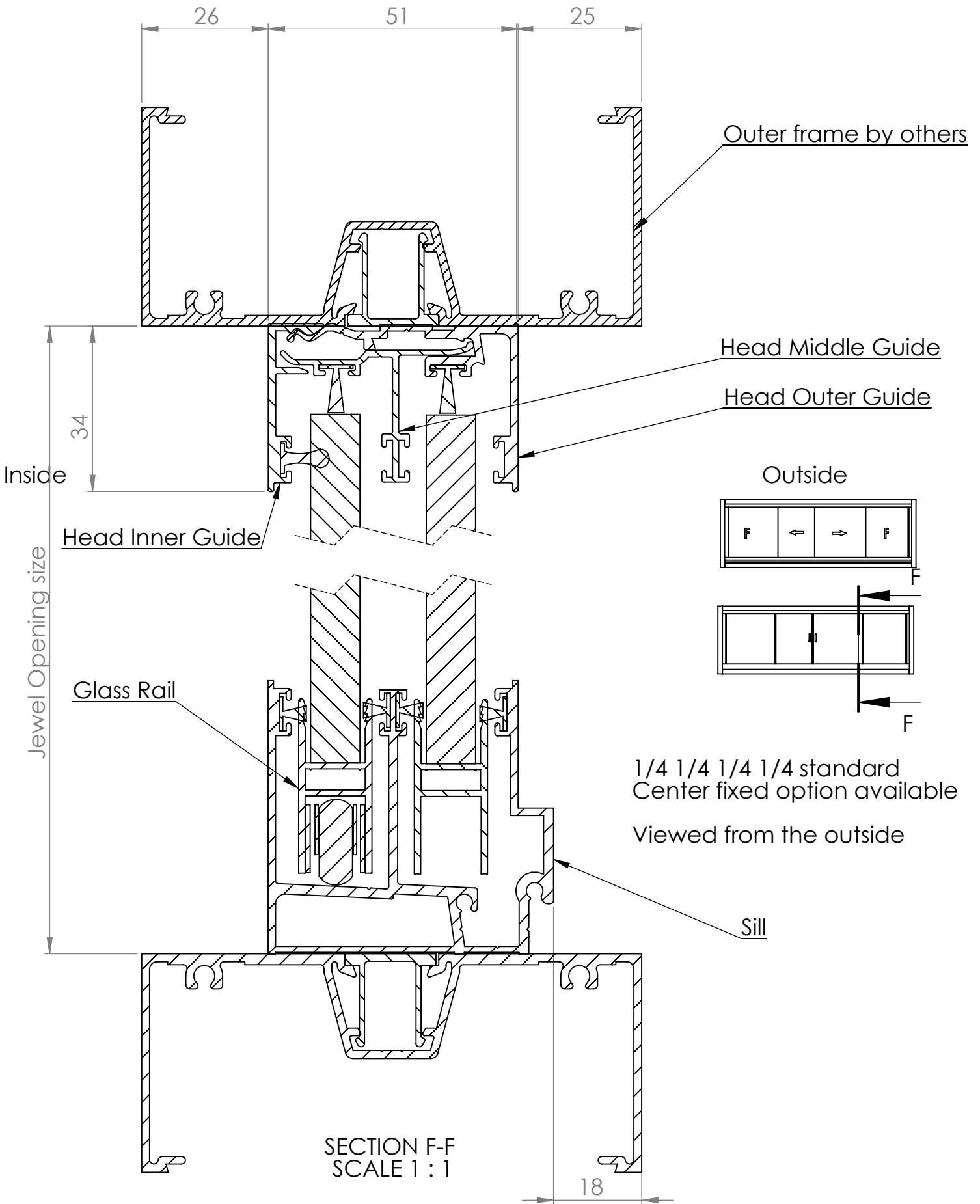
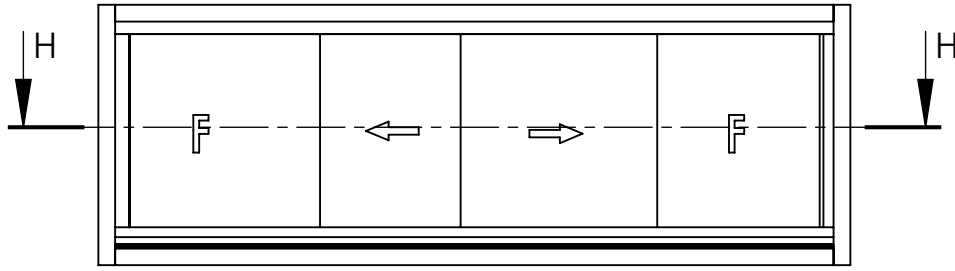


Quartz 10mm Slider Assembly 4PHLRF



DATE	18/6/20	REVISION	3		A4
DWG NO.	For technical assistance contact (03) 97708708			SHEET 1 OF 2	SCALE:1:10

Quartz 10mm Slider Assembly 4PHLRF

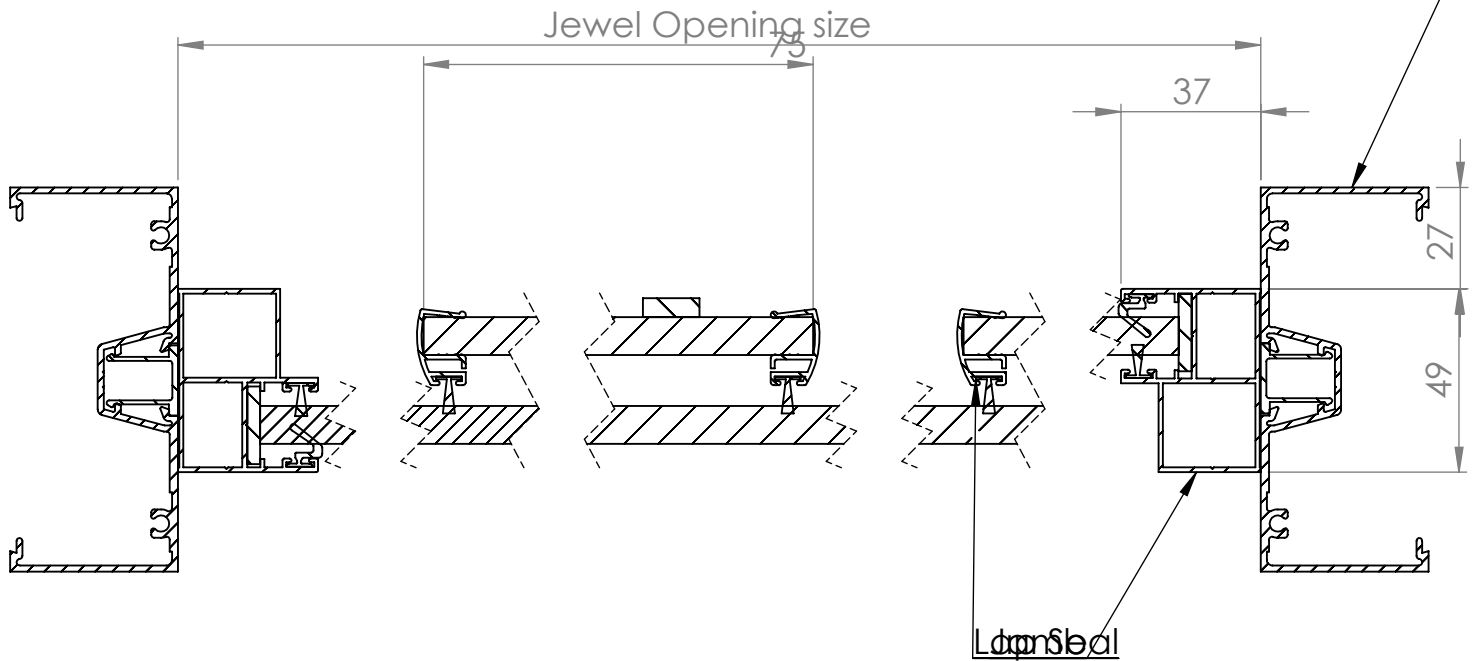


1/4 1/4 1/4 1/4 standard
Center fixed option available

Viewed from the outside

Inside

Outer frame by others



Outside

SECTION H-H

SCALE 1 : 2

DATE	18/6/20	REVISION	3		A4
DWG NO.	For technical assistance contact (03) 97708708			SHEET 2 OF 2	SCALE:1:10