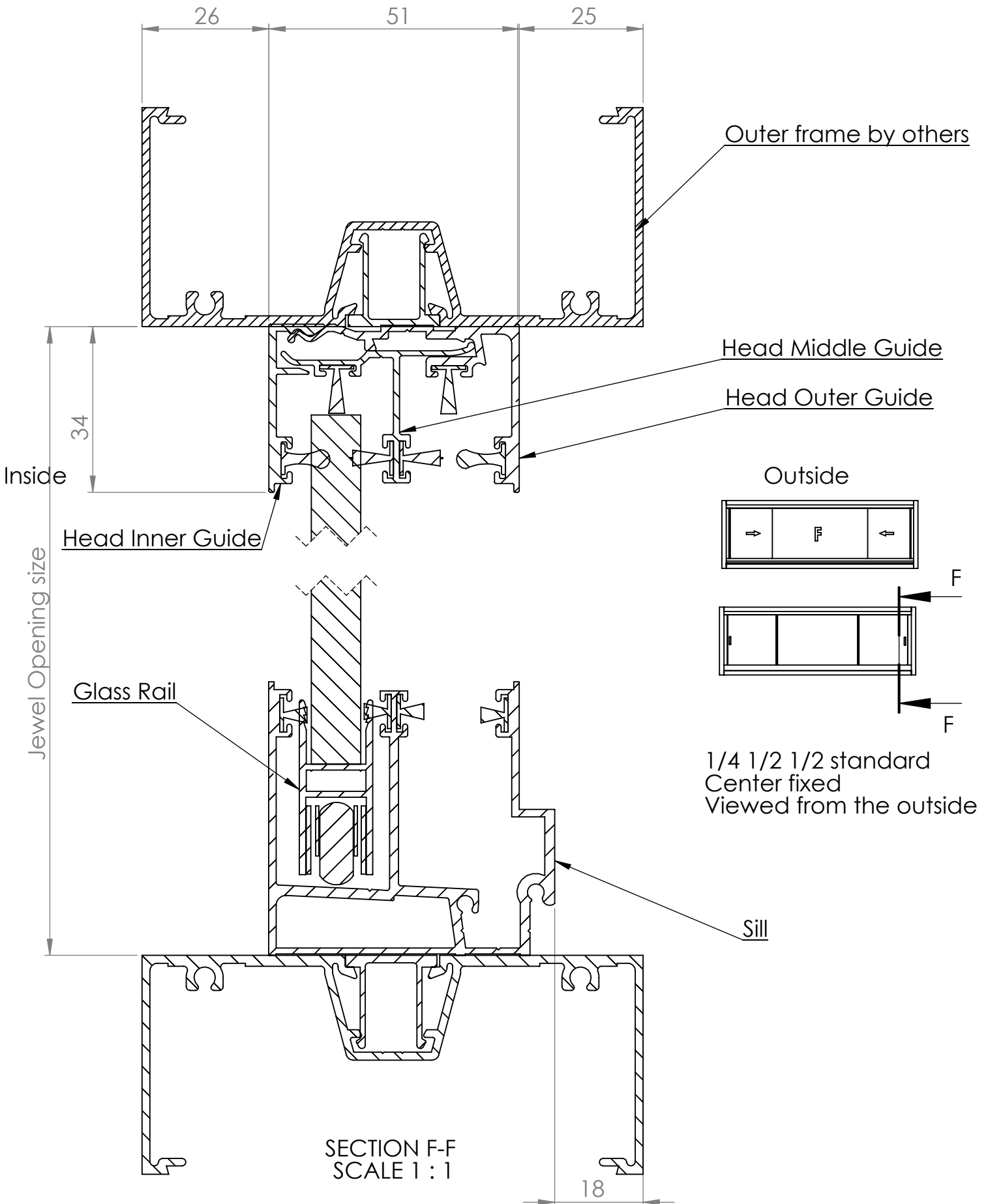
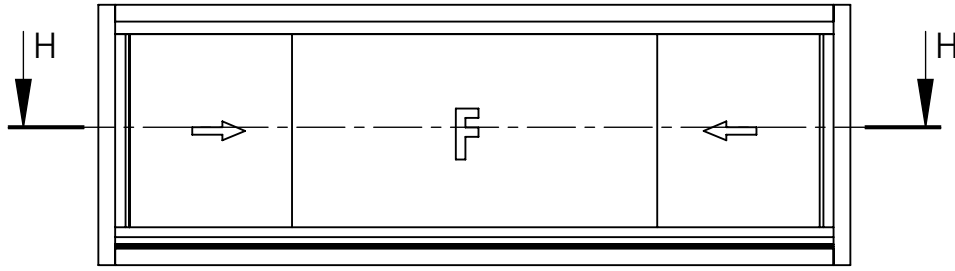


Quartz 10mm Slider Assembly 3PHMF

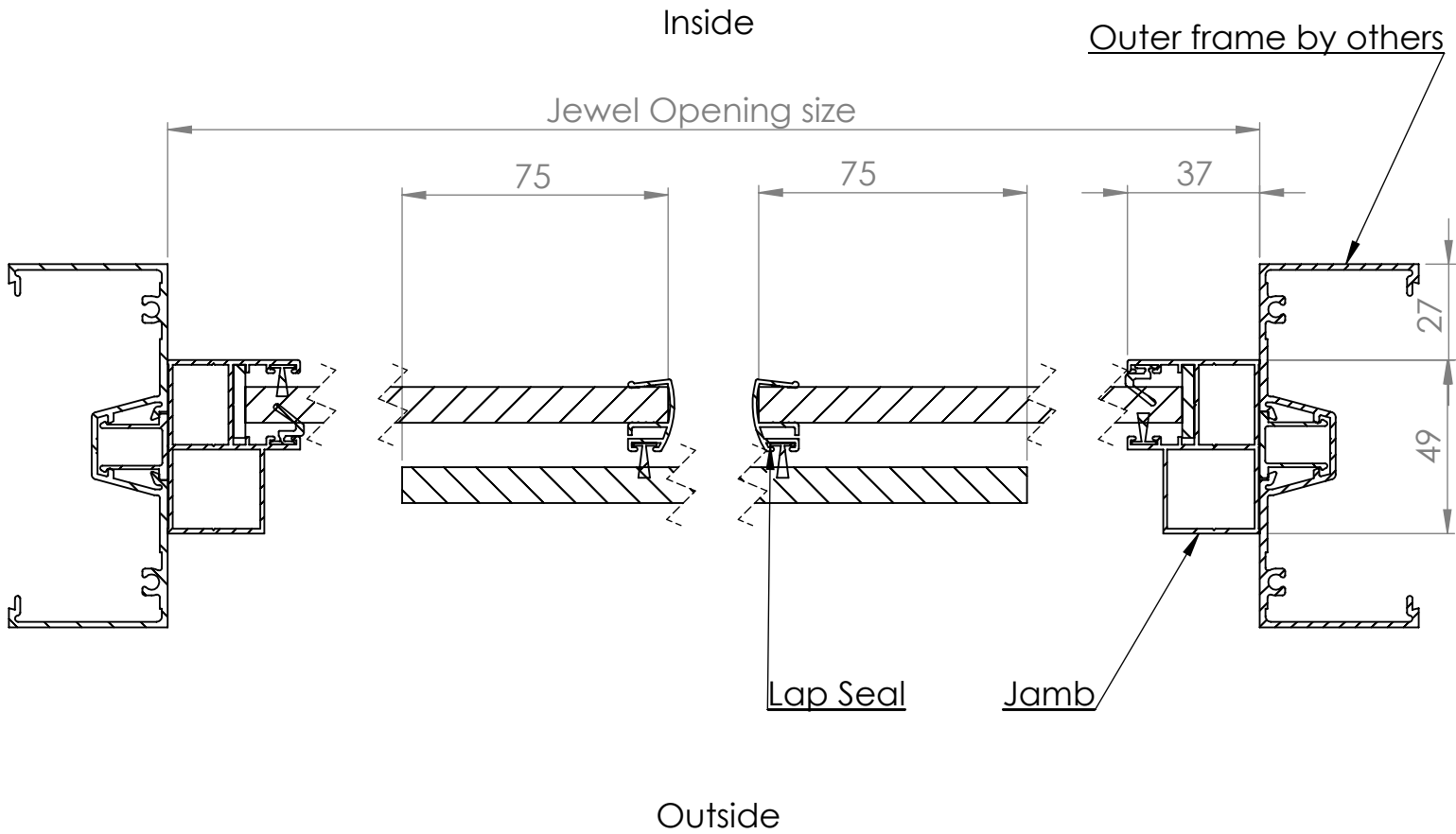


DATE	18/6/20	REVISION	3		A4
DWG NO.	For technical assistance contact (03) 97708708			SHEET 1 OF 2	SCALE:1:10

Quartz 10mm Slider Assembly 3PHMF



1/4 1/2 1/2 standard
Center fixed
Viewed from the outside



SECTION H-H

SCALE 1 : 2

DATE	18/6/20	REVISION	3		A4
DWG NO.	For technical assistance contact (03) 97708708			SHEET 2 OF 2	SCALE:1:10