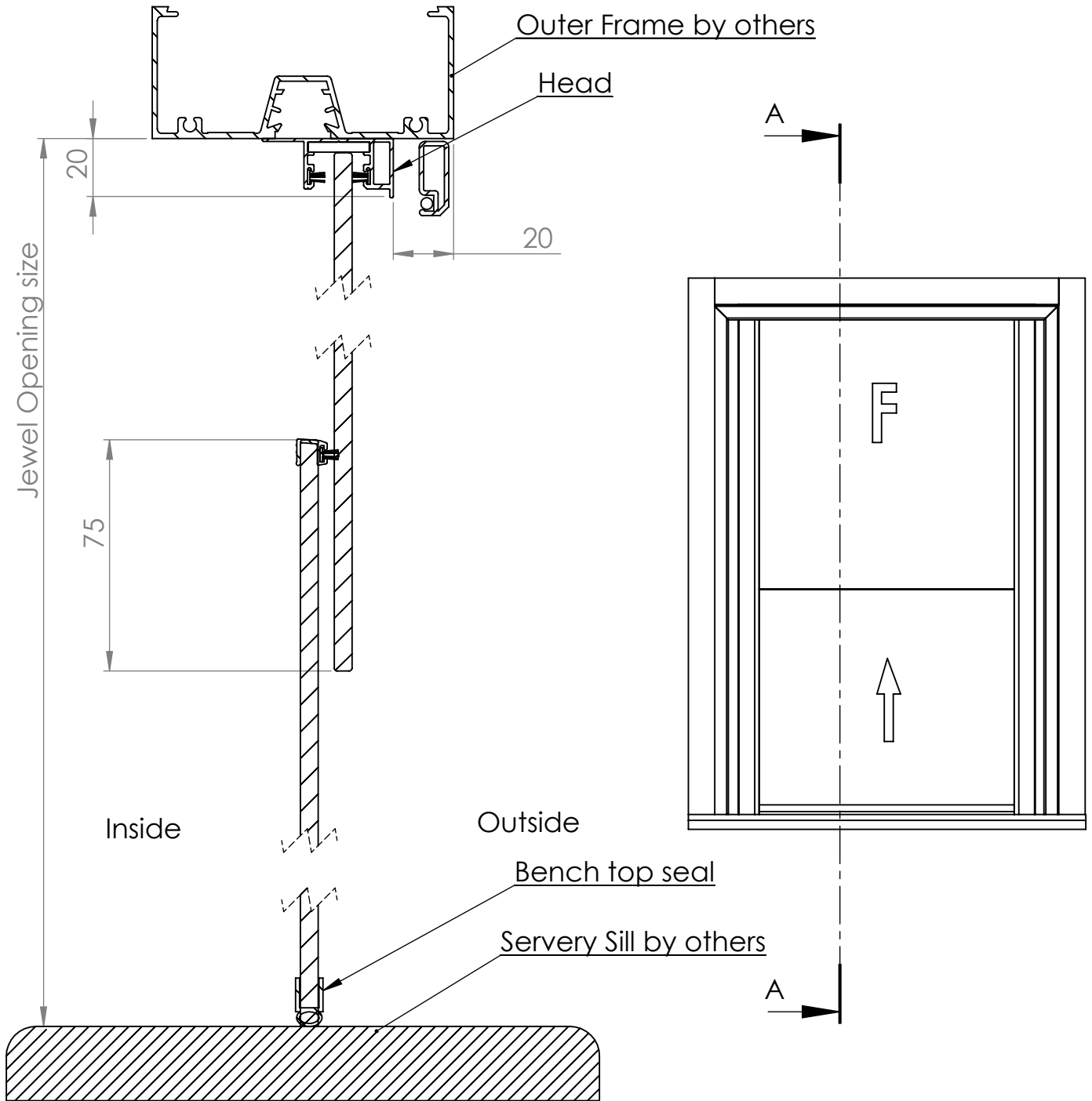


# Pearl 6mm servery Assembly 2PTF no sill

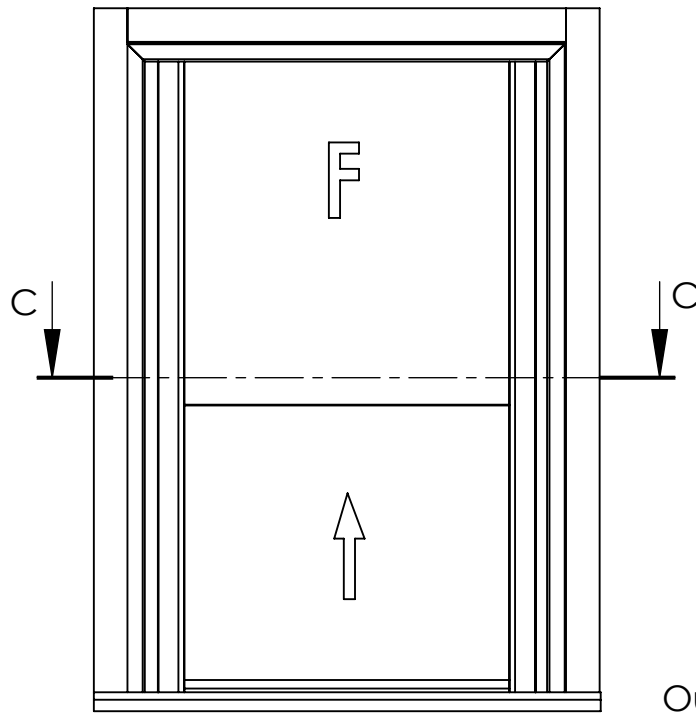


Note: this sill is not water ratted  
This window should be installed with some weather protection

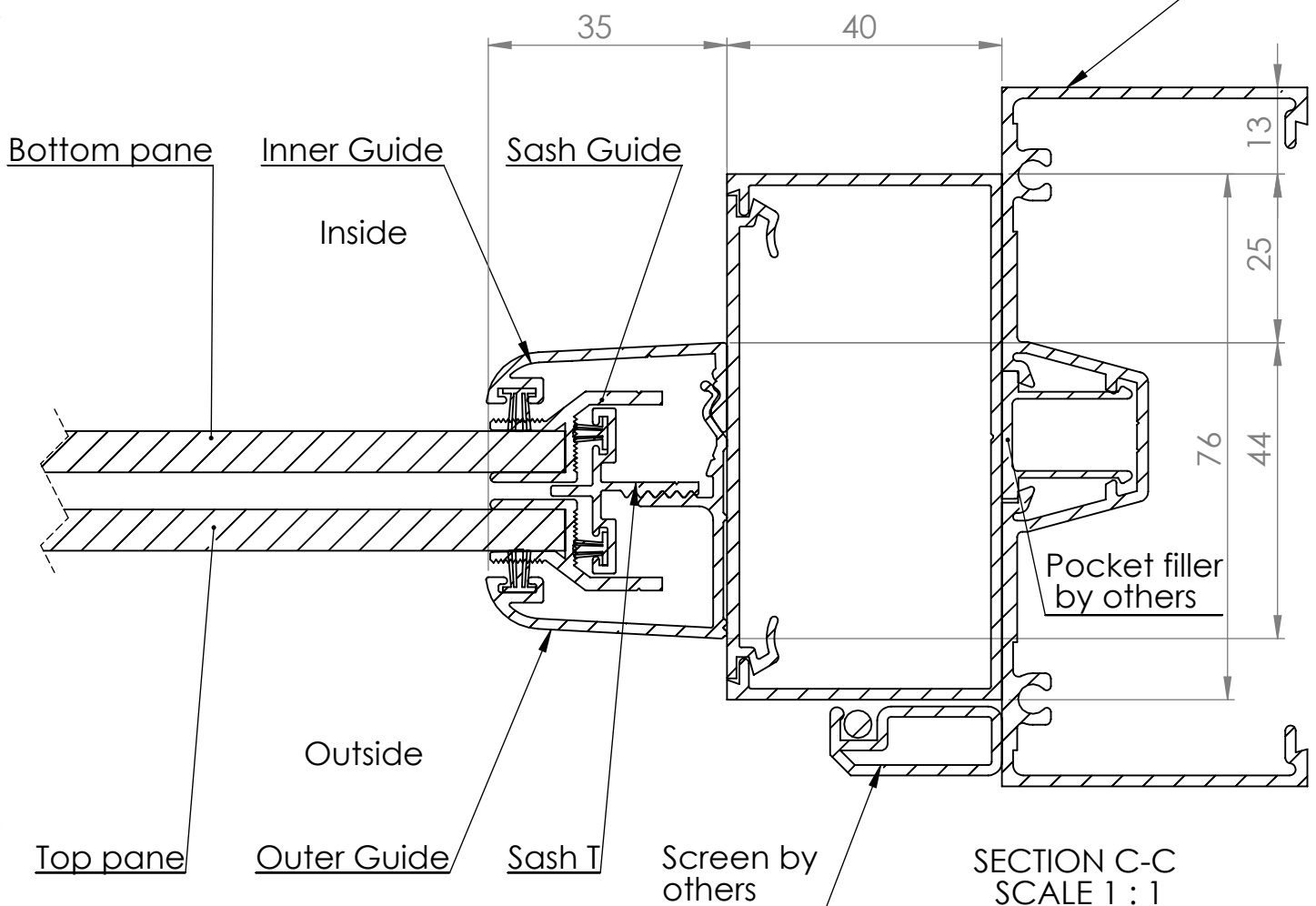
SECTION A-A  
SCALE 1 : 2

DATE	3/7/20	REVISION	1		A4
DWG NO.		For technical assistance contact (03) 97708708			SHEET 1 OF 2
					SCALE:1:10

# Pearl 6mm servery Assembly 2PTF no sill



Outer frame by Others



SECTION C-C  
SCALE 1 : 1

DATE	3/7/20	REVISION	1		A4
DWG NO.	For technical assistance contact (03) 97708708			SHEET 2 OF 2	SCALE:1:10