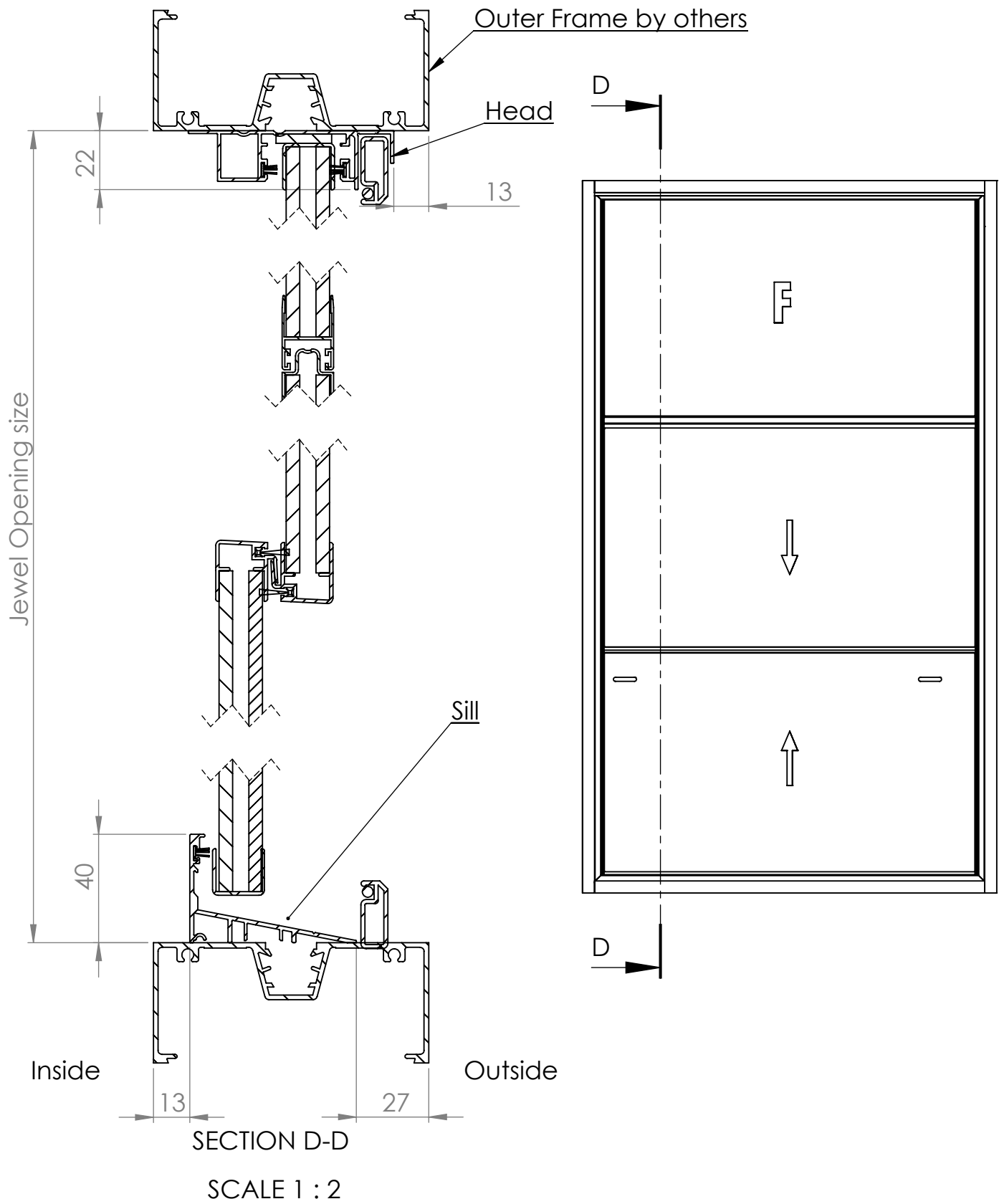
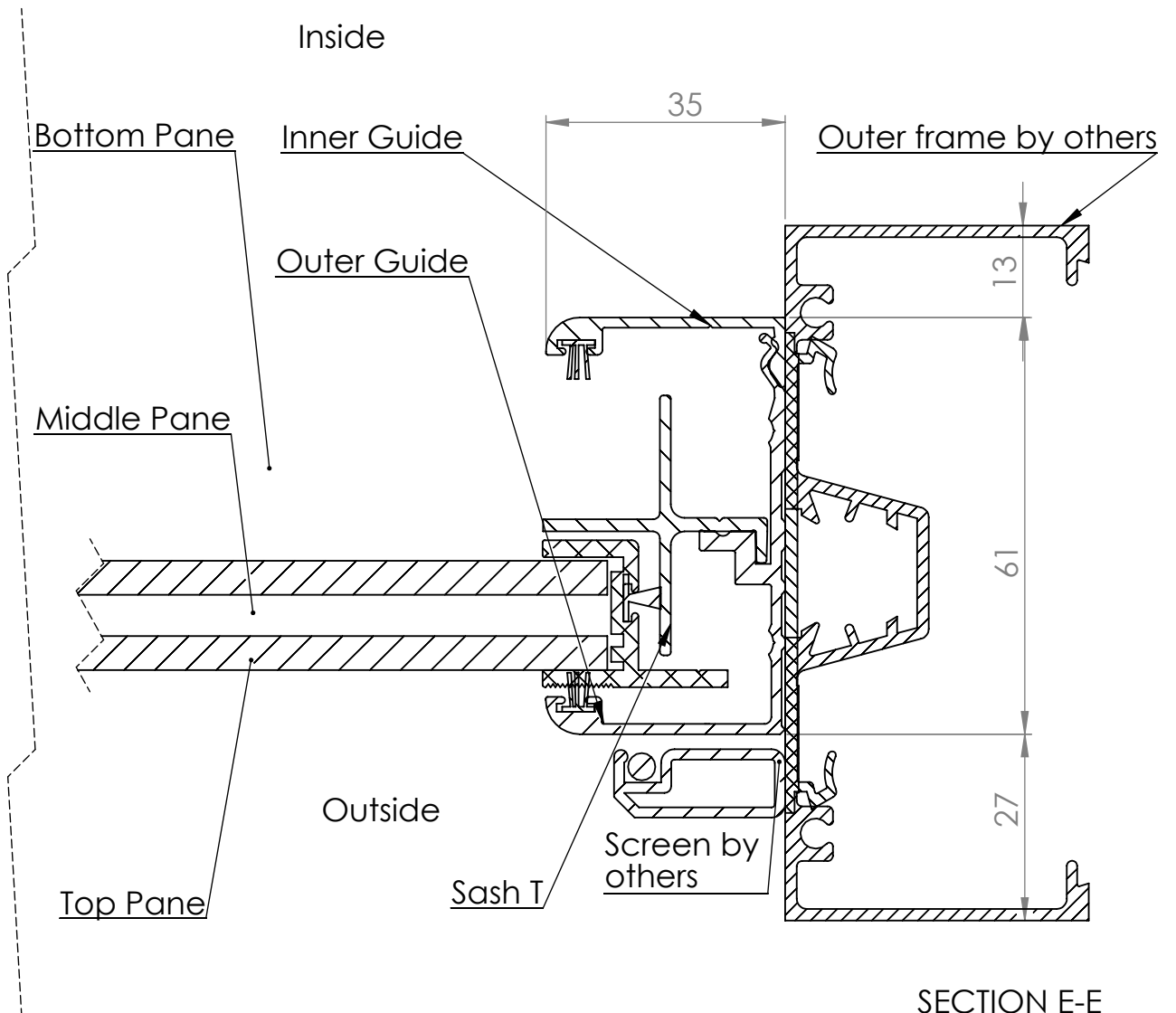
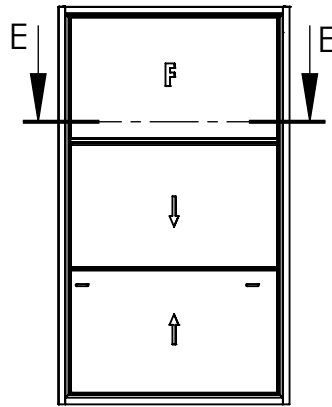


# Pearl 16mm Assembly 3PTF



DATE	29/9/20	REVISION	3		A4
DWG. NO.	For technical assistance contact (03) 97708708			SHEET 1 OF 2	SCALE:1:10

# Pearl 16mm Assembly 3PTF



SECTION E-E  
SCALE 1 : 1

DATE	29/9/20	REVISION	3		A4
DWG NO.	For technical assistance contact (03) 97708708			SHEET 2 OF 2	SCALE:1:10