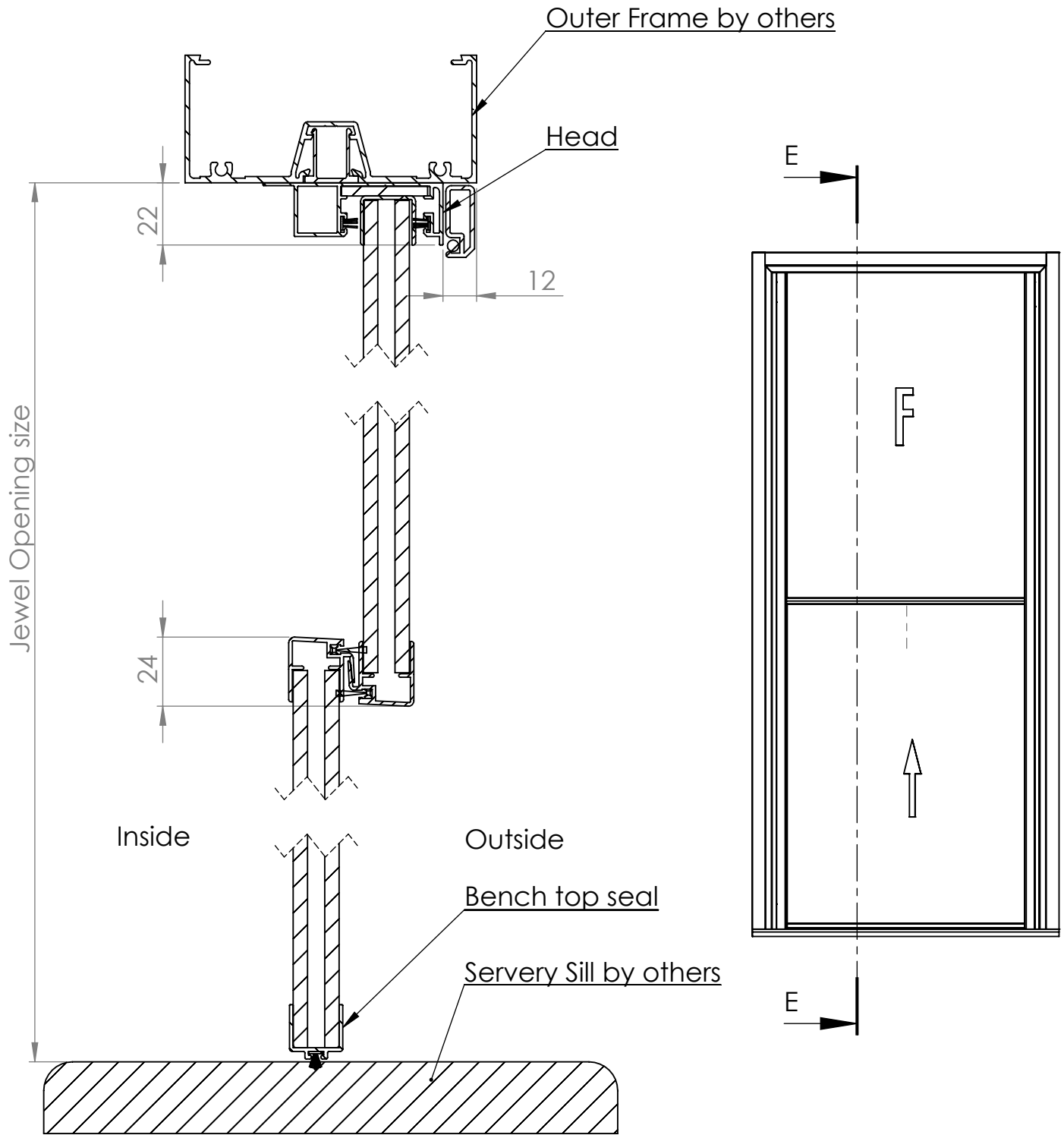


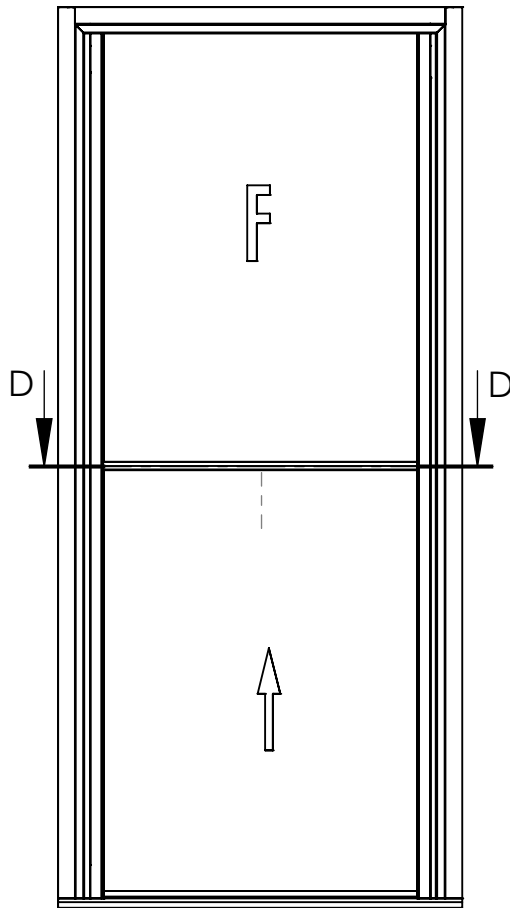
Pearl 16mm servery Assembly 2PTF no sill



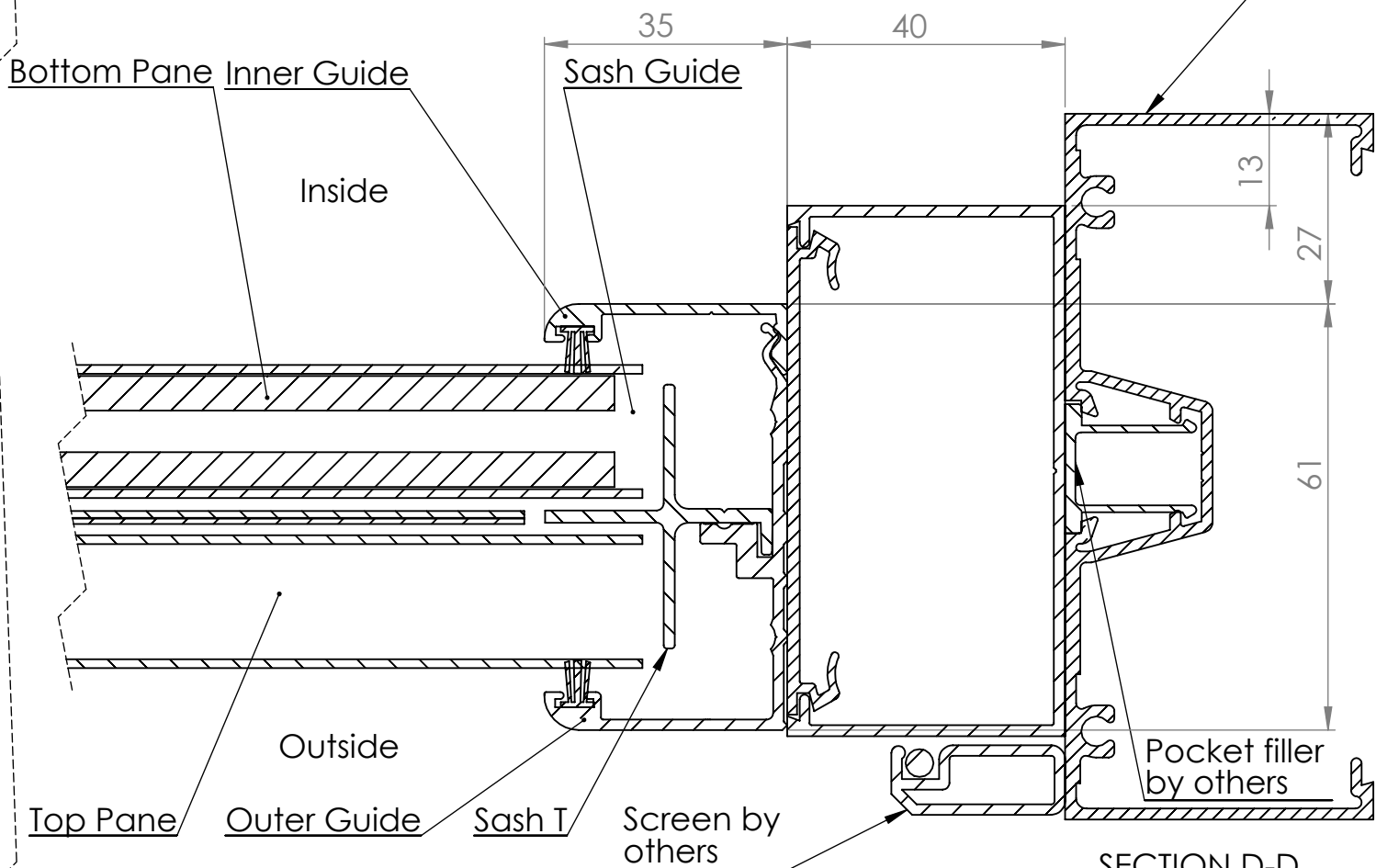
SECTION E-E
SCALE 1 : 2

DATE	3/7/20	REVISION	1		A4
DWG NO.		For technical assistance contact (03) 97708708			SHEET 1 OF 2
					SCALE:1:10

Pearl 16mm servery Assembly 2PTF no sill



Outer frame by Others



SECTION D-D
SCALE 1 : 1

DATE	3/7/20	REVISION		A4
DWG NO.	For technical assistance contact (03) 97708708			SHEET 2 OF 2
				SCALE:1:10