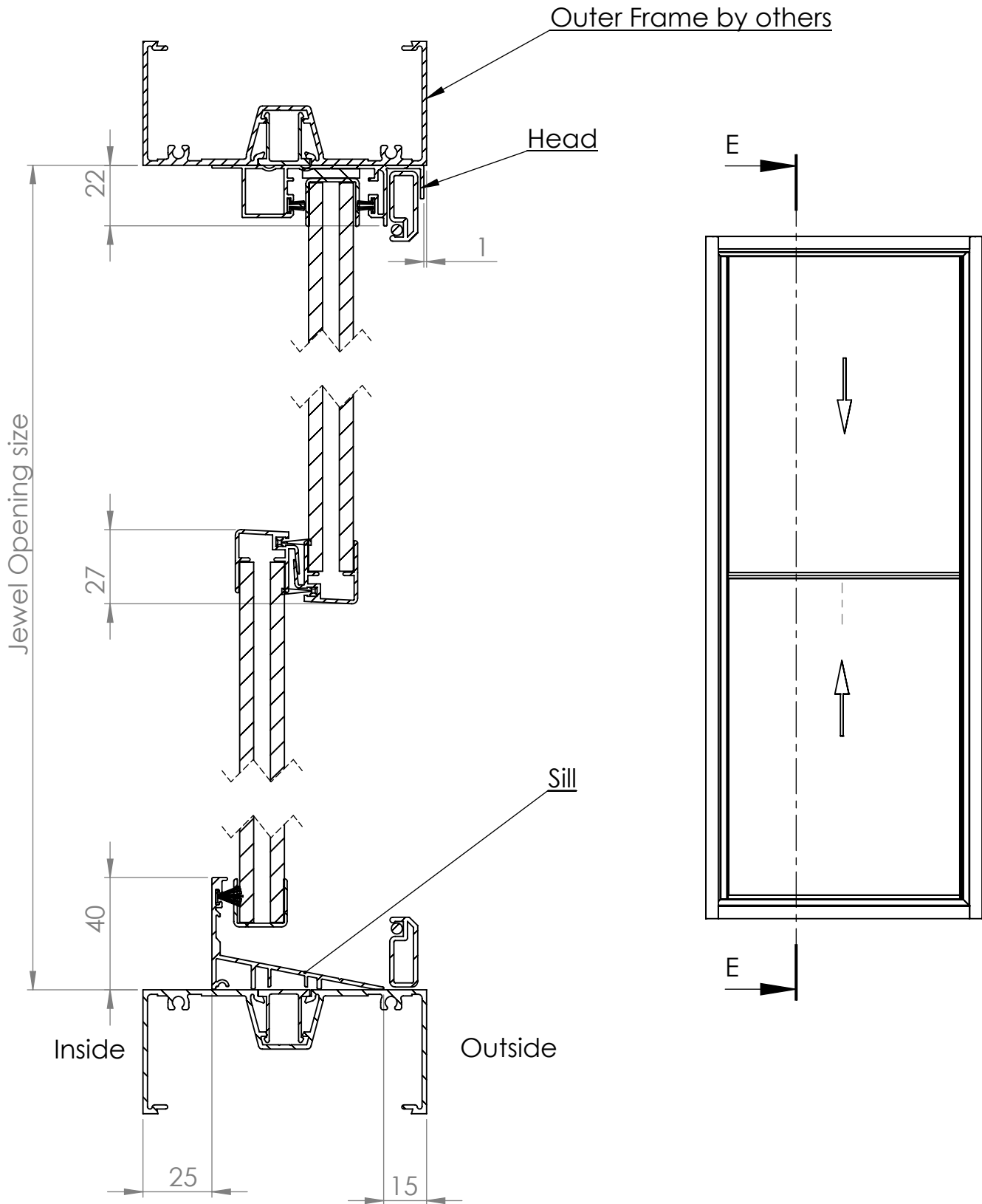


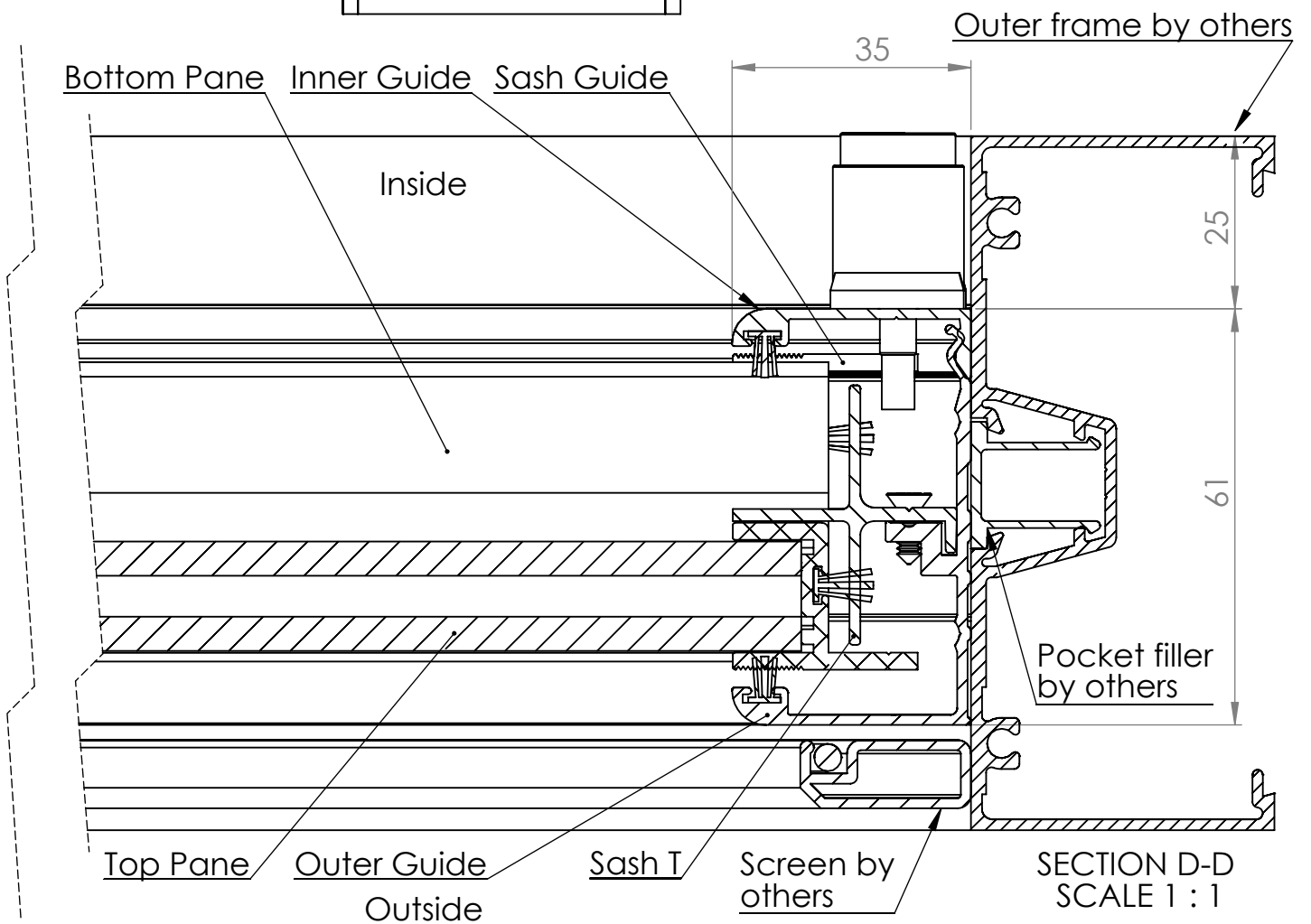
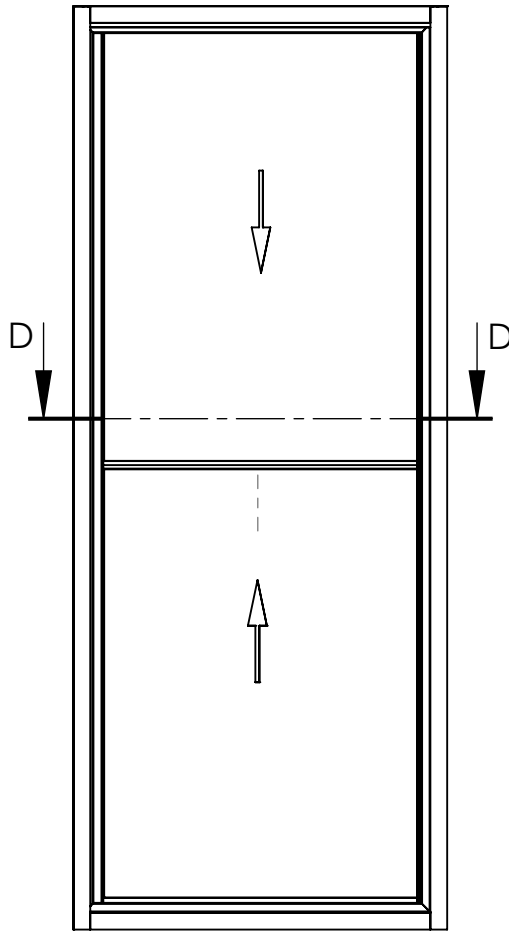
# Pearl 16mm Assembly 2P



SECTION E-E  
SCALE 1 : 2

|         |  |          |   |              |            |
|---------|--|----------|---|--------------|------------|
| DATE    | 16/6/20  | REVISION | 3 |              | A4         |
| DWG NO. | For technical assistance contact (03) 97708708 |          |   | SHEET 1 OF 2 | SCALE:1:10 |

# Pearl 16mm Assembly 2P



DATE

REVISION

A4

DWG NO.

For technical assistance contact (03) 97708708

SHEET 2 OF 2

SCALE:1:10