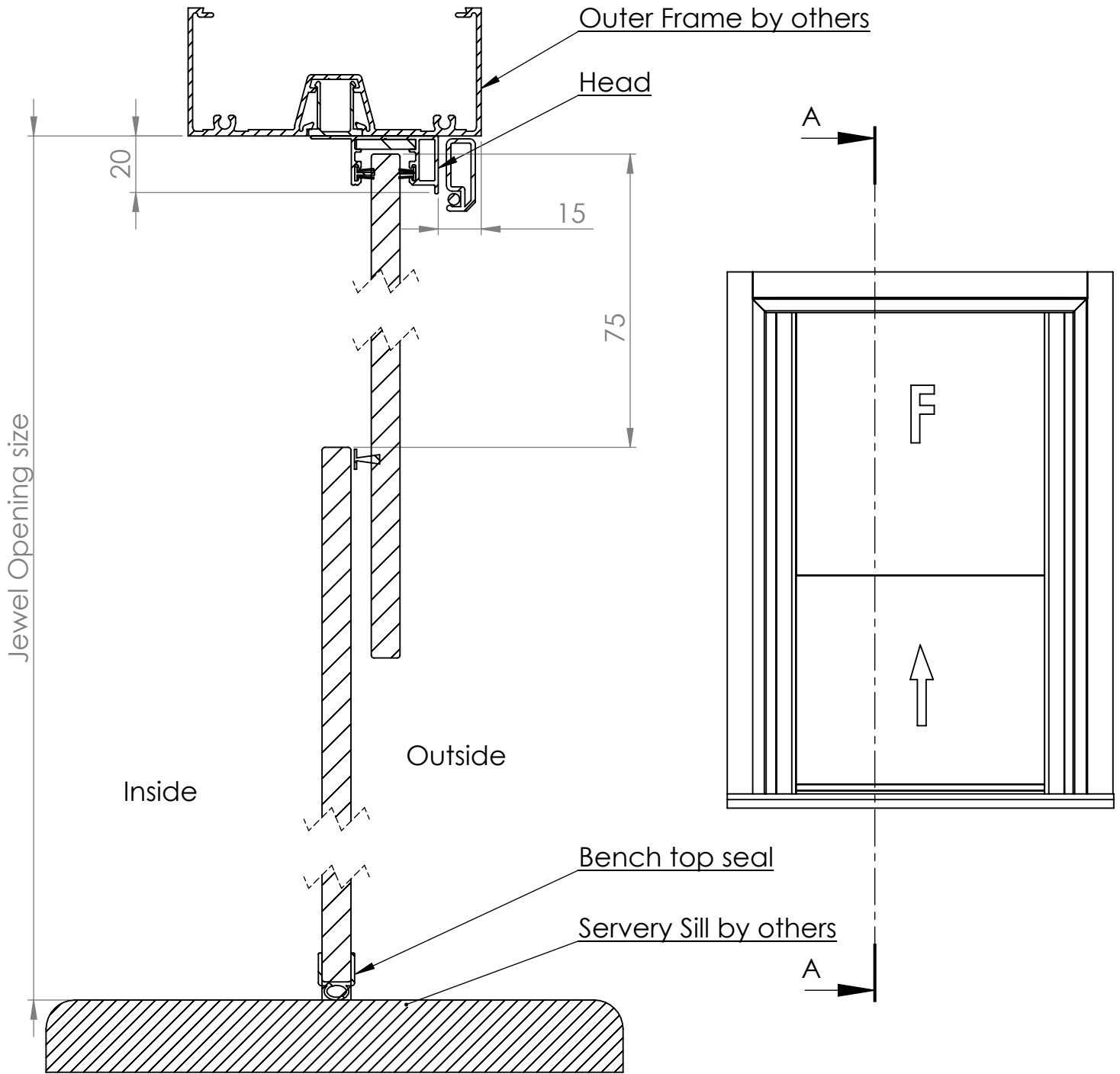


# Pearl 10mm servery Assembly 2PTF no sill

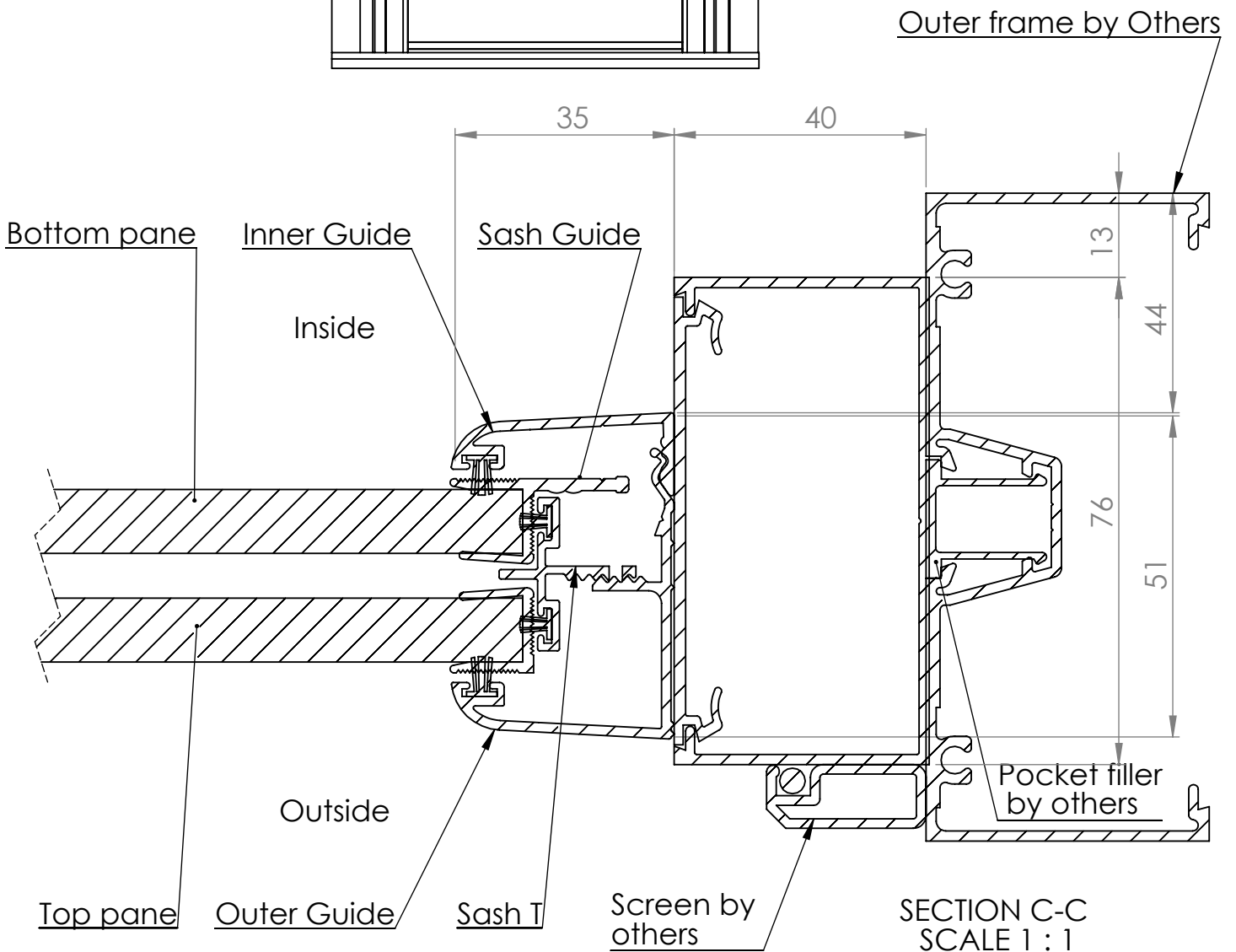
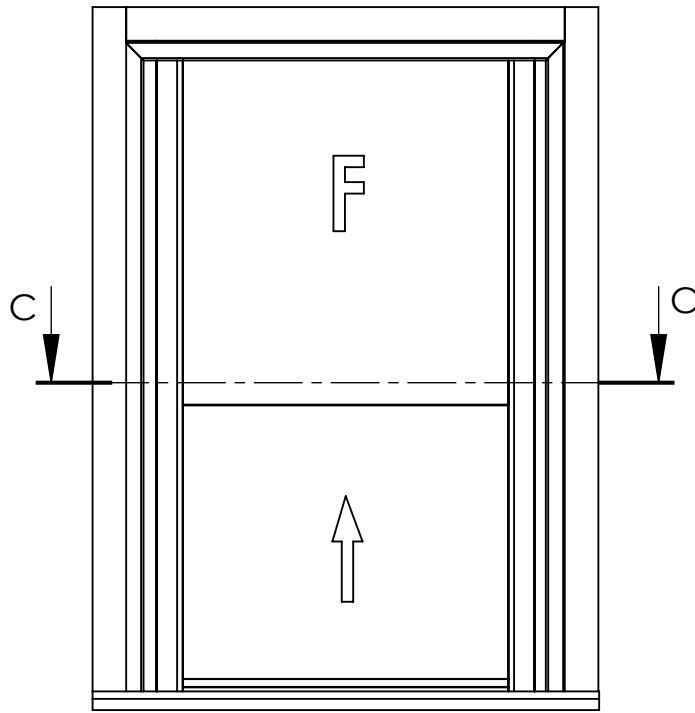


Note: this sill is not water ratted  
This window should be installed with some weather protection

SECTION A-A  
SCALE 1 : 2

DATE	3/7/20	REVISION	1		A4
DWG NO.		For technical assistance contact (03) 97708708			SHEET 1 OF 2
					SCALE:1:10

# Pearl 10mm servery Assembly 2PTF no sill



DATE 3/7/20

REVISION 1

A4

DWG NO.

For technical assistance contact (03) 97708708

SHEET 2 OF 2

SCALE:1:10