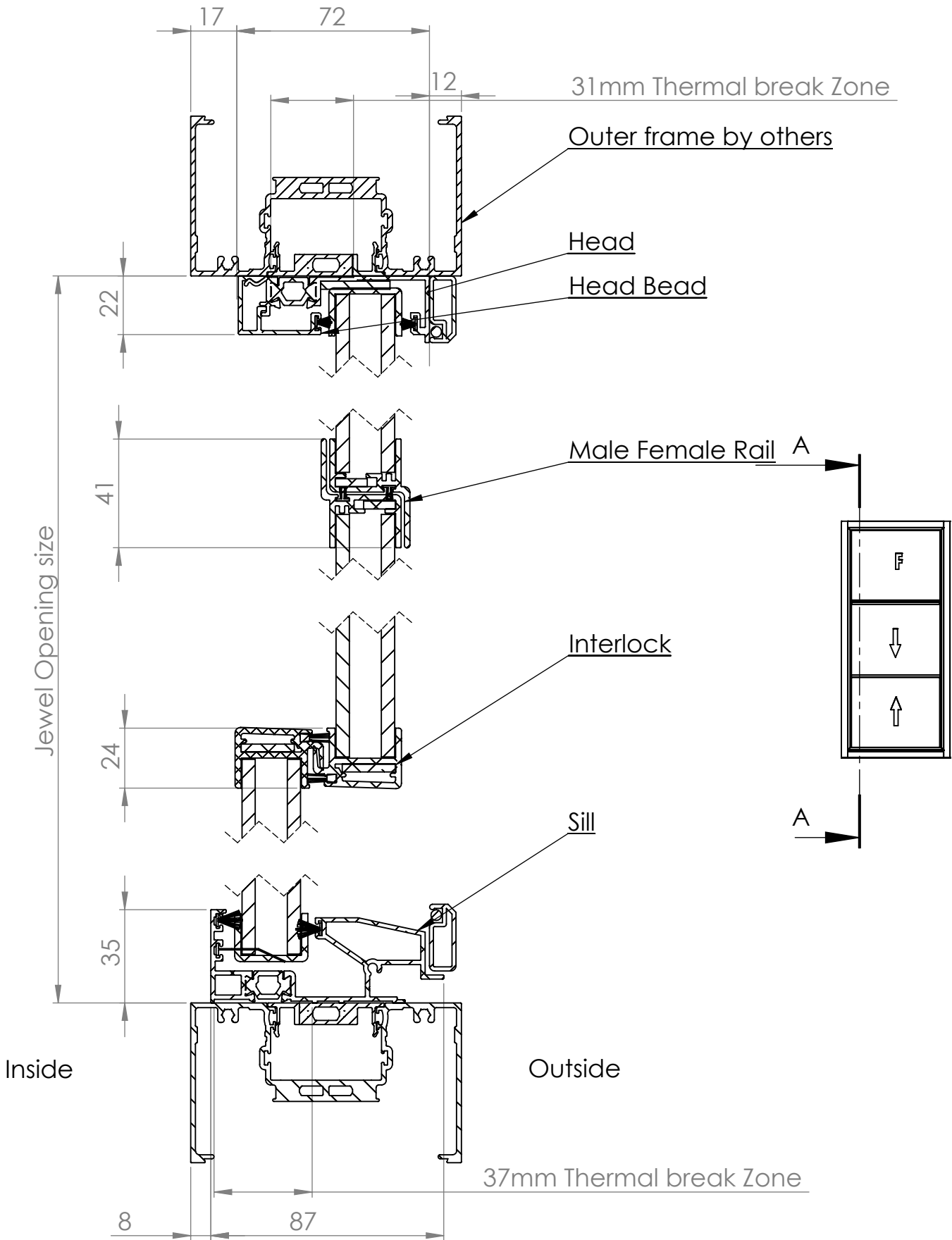


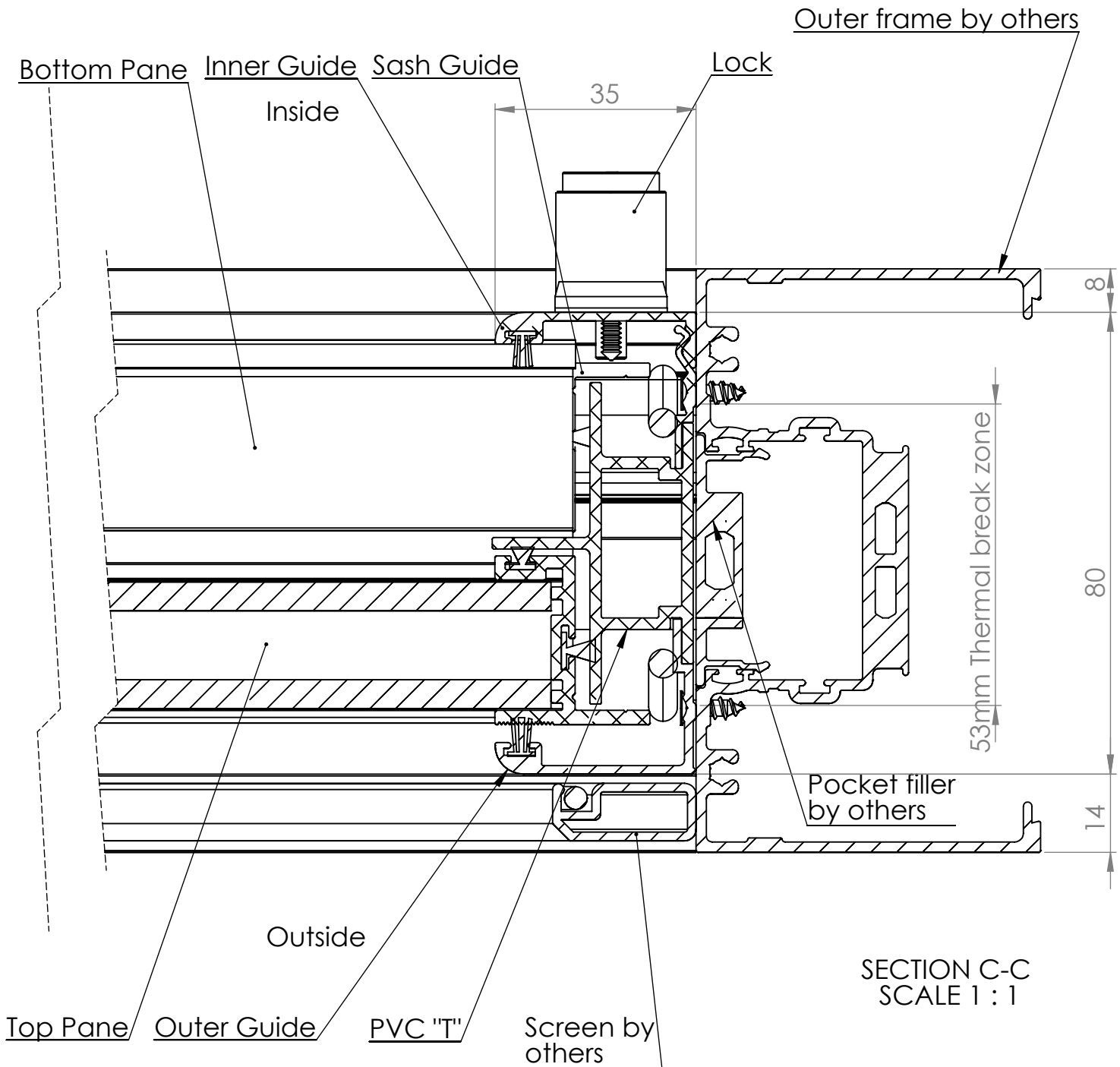
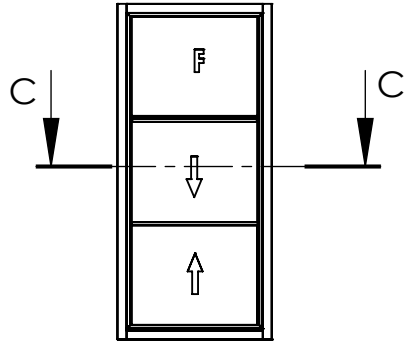
Opal 22mm Assembly 3PTF



SECTION A-A
SCALE 1 : 2

| | | | | | |
|---------|--|----------|---|--------------|------------|
| DATE | 19/6/20 | REVISION | 3 | | A4 |
| DWG NO. | For technical assistance contact (03) 97708708 | | | SHEET 1 OF 2 | SCALE:1:10 |

Opal 22mm Assembly 3PTF



| | | | | | |
|---------|--|----------|---|--------------|------------|
| DATE | 19/6/20 | REVISION | 3 | | A4 |
| DWG NO. | For technical assistance contact (03) 97708708 | | | SHEET 2 OF 2 | SCALE:1:10 |