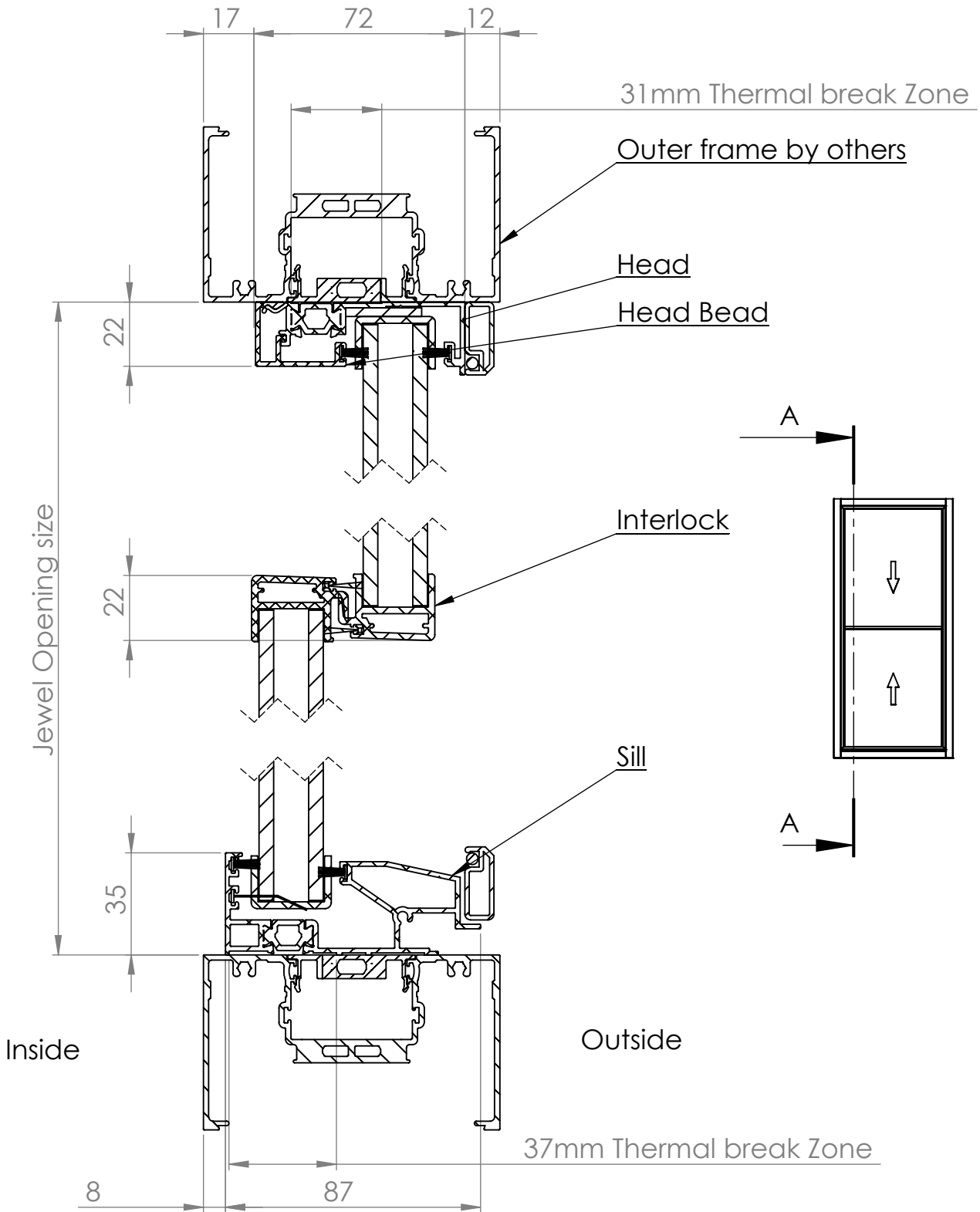


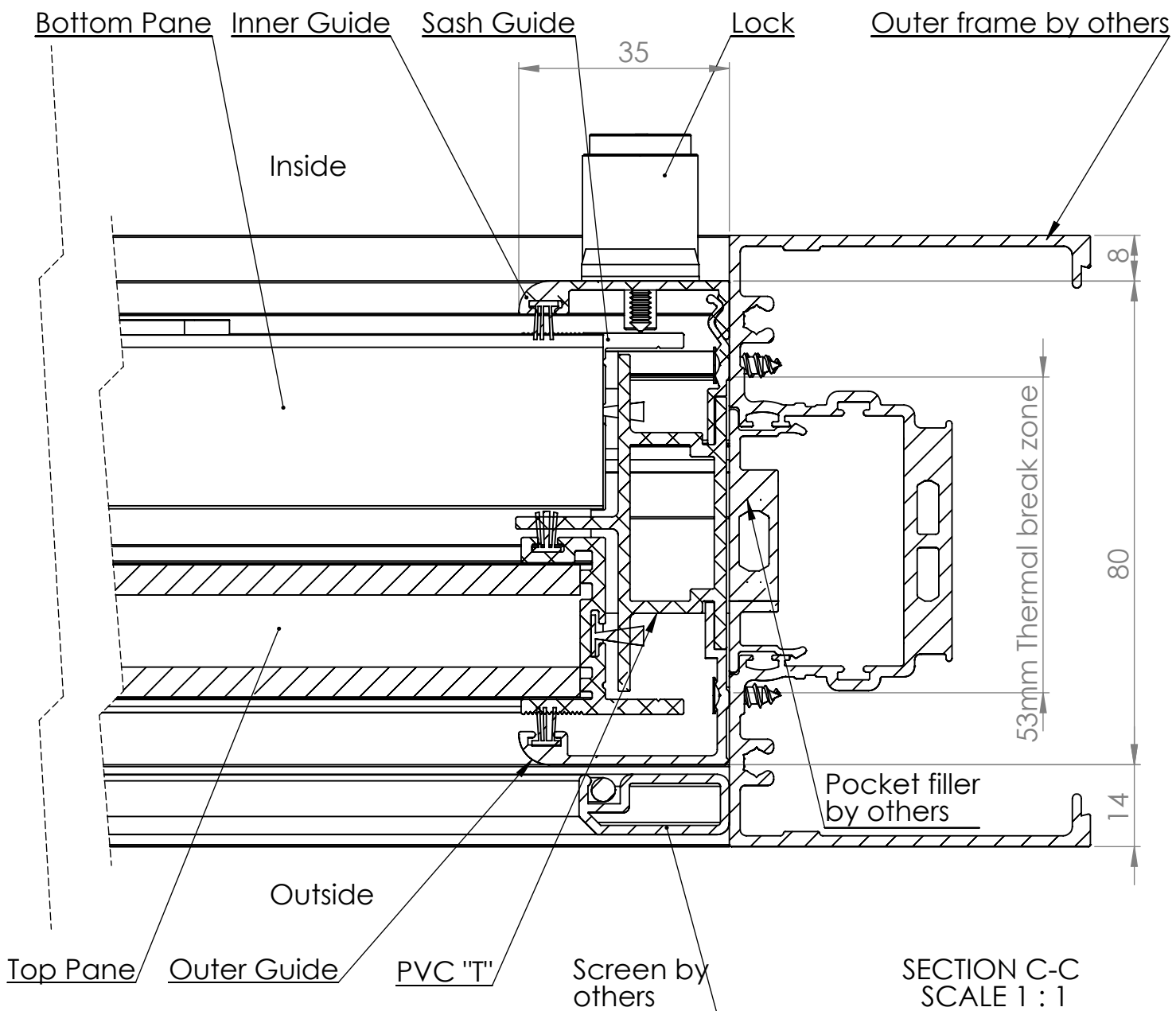
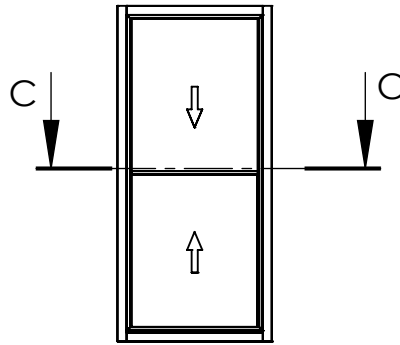
# Opal 22mm Assembly 2P



SECTION A-A  
SCALE 1 : 2

DATE	19/6/20	REVISION	3		A4
DWG NO.		For technical assistance contact (03) 97708708			SHEET 1 OF 2
					SCALE:1:10

# Opal 22mm Assembly 2P



DATE	19/6/20	REVISION	3	A4
DWG NO.	For technical assistance contact (03) 97708708			SHEET 2 OF 2    SCALE:1:10