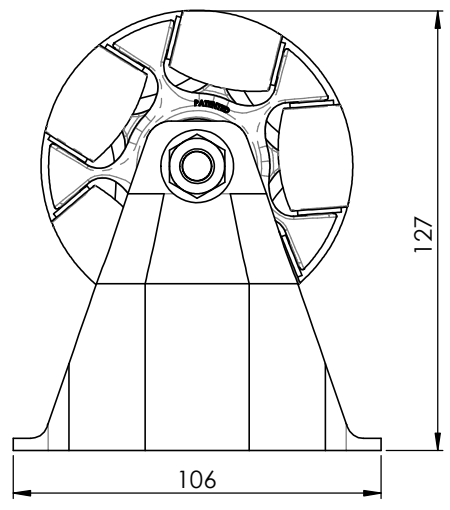
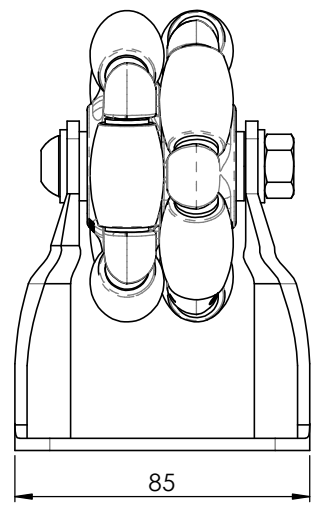
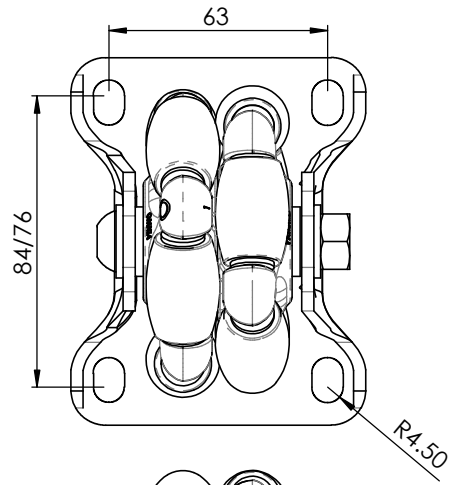


8 7 6 5 4 3 2 1

REVISIONS		
REV.	DESCRIPTION	DATE
A	FIRST RELEASE	01/04/2021



NOTES:

- 

<p><b>PROPRIETARY AND CONFIDENTIAL</b>                  © COPYRIGHT 2020 ROTACASTER WHEEL LIMITED</p> <p>The information contained in this drawing is the sole property of Rotacaster Wheel Limited.</p> <p>Any reproduction of this document in part or as a whole - without the written permission of Rotacaster Wheel Limited - is prohibited.</p> <p>Rotacaster Wheel Limited holds international patents on its designs and products.</p>	<p>Unless Specified:                  Dimensions are in mm</p> <p>Tolerances:                  X ± 0.5                  XX ± 0.1                  XXX ± 0.05</p> <p>Comments:</p>	DRAWN	NAME	DATE	<p><b>TITLE:</b>                  90mm WITH FORMED FORK</p>
		APPROVED	J. McMurray	1/04/2021	
		MATERIAL		1/04/2021	
		FINISH			
		MASS	kg		
<p>SIZE <b>A3</b> PART # <b>R2-0905-XX-MF</b> REV</p> <p>SCALE: 1:1.5 (DO NOT SCALE) SHEET 1 OF 1</p>					

8 7 6 5 4 3 2 1