






Bores & Bushes



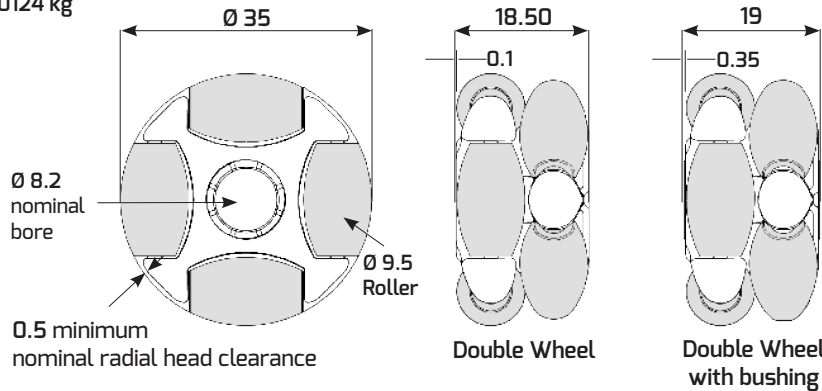
| Wheels & Roller Type | 4.8mm | 6.0mm | 8.0mm | Square 1/8" (Vex) | Cross (Lego™) |
|---|----------------|----------------|----------------|-------------------|---------------|
|  R2 40A TPE Roller ABS Body | R2-0354-40/B05 | R2-0354-40/B06 | R2-0354-40/B08 | R2-0354-40/VX | R2-0354-40/LX |
|  R2 85A PU Roller Acetal Body | R2-0354-85/A05 | R2-0354-85/A06 | R2-0354-85/A08 | --- | --- |
|  R2 Solid Nylon Roller Acetal Body | R2-0354-99/A05 | R2-0354-99/A06 | R2-0354-99/A08 | --- | --- |

Load Capacity Notes: Load Capacity is expressed as both lateral "/" and static. The lateral load capacity is the load at which roller compression/deflection can result in radial head contact with the running surface, impeding direct lateral (sideways) movement or in the case of abrasive surfaces (such as concrete) cause possible wear to the radial head, reducing the life of the product. The static load capacity is that which the wheel can individually support in a stationary state.

Custom Bores in different sizes and shapes are available on request.

Wheel Dimensions (in mm)

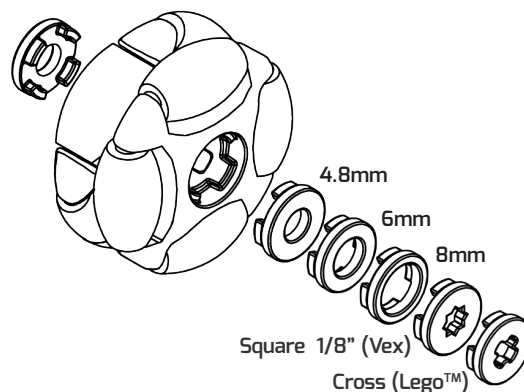
Weight: 0.0124 kg



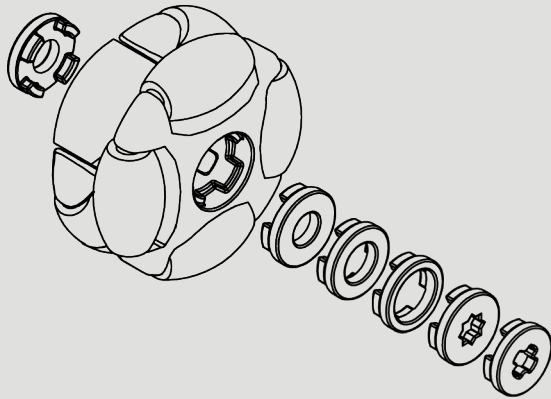
Conversion

| Metric | Imperial |
|---------|----------|
| 3.2mm | 1/8" |
| 4.8mm | 3/16" |
| 6.35mm | 1/4" |
| 8.00mm | 5/16" |
| 11.1mm | 7/16" |
| 12.7mm | 1/2" |
| 15.88mm | 5/8" |
| 25.4mm | 1" |

Wheel and Bushing Assembly



Technical Information



Wheel and Bushing assembly options

The 35mm Rotacaster wheels are manufactured with a 8.2mm (diameter) bore. Bushings by the same material than the body (ABS or acetal) are available with 4.8mm, 6mm or 8mm diameter.






The 35mm Rotacaster provide maximum traction for acceleration and speed, and is, assembled with a 1/8" square (for Technics Vex) or cross axle (for Lego™ M) bushing the ideal wheel for a robotic competition.

Wheels (excluding Bushings)

| P/N | Load Capacity | Wheel Body Type | Roller Material | Durameter | Co-Efficient of Friction |
|------------|---------------|-----------------|-----------------|-----------|--------------------------|
| R2-0354-40 | TBC | ABS (B) | TPE | 40A | TBC |
| R2-0354-85 | TBC | Acetal (A) | PU | 85A | TBC |
| R3-0354-99 | TBC | Acetal (A) | Nylon 66 | Solid | TBC |

Load Capacity Notes: Load Capacity is expressed as both lateral "l" and static. The lateral load capacity is the load at which roller compression/deflection can result in radial head contact with the running surface, impeding direct lateral (sideways) movement or in the case of abrasive surfaces (such as concrete) cause possible wear to the radial roller support, reducing the life of the product. The static load capacity is that which the wheel can individually support in a stationary environment.

Bushings

| Material | 4.8mm | 6.0mm | 8.0mm | 1/8" Square (Vex) | Cross (Lego™) |
|----------|---|---|---|---|---|
| |  |  |  |  |  |
| ABS | 13-9606-0511-B | 13-9606-0611-B | 13-9606-0811-B | 13-9606-VX | 13-9606-LX |
| Acetal | 13-9606-0511-A | 13-9606-0611-A | 13-9606-0811-A | --- | --- |

Download Step Files are available for custom bushing manufacture - 3D print or machining. Please visit: www.Rotacaster.com.au
Custom Bores in different sizes and shapes are available on request.