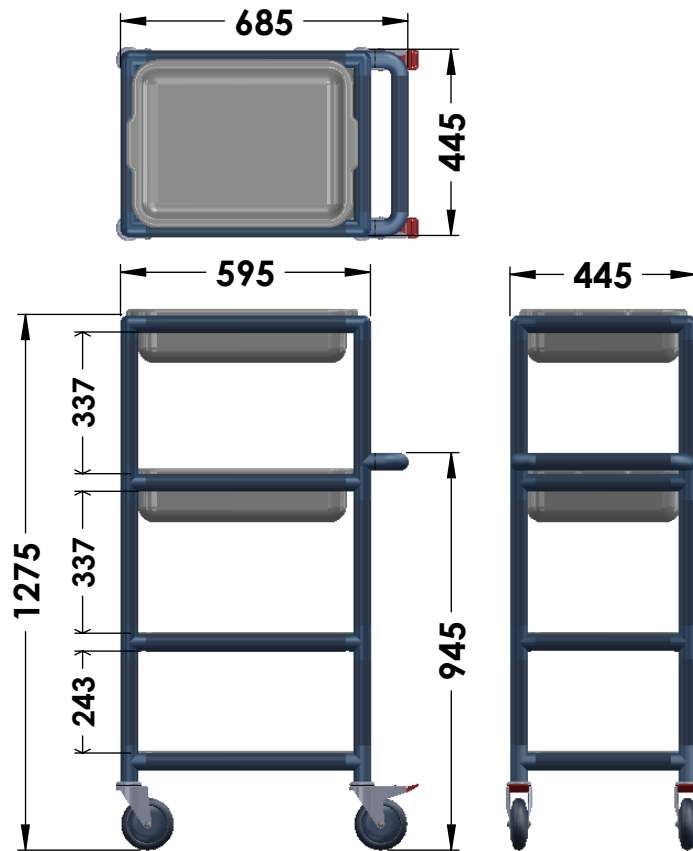
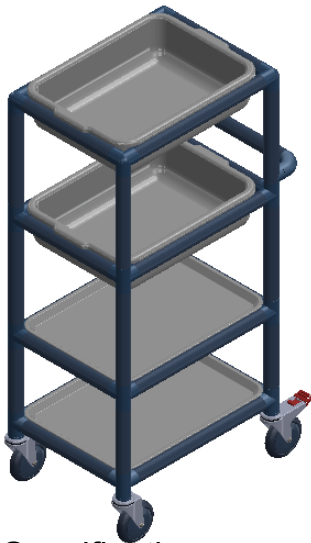


Product Data Sheet

Model No: T103



Specifications

Height	1275mm
Length	685mm (Inc Handle)
Width	445mm
Flat Trays	2x550x400mm
Deep Trays	2x550x400x130mm
Standard Castors	2 x Swivel 125mm
Braking Castors	2 x Swivel 125mm
Push Effort	0.75kg
Pull Effort	0.75kg
Weight	15kg
Warranty	3 Years

Product Code: Bluestone: IT103-BLS Beige: IT103

This trolley can be customised as follows:

- Flat and deep tray capacity
- Height between shelves
- Guard rails, vertical or horizontal
- Handle configuration
- Castor sizes and configuration
- Shelving, solid or recessed
- Design your own trolley

Polymedic are Australia's Premier trolleys manufacture with all products manufactured right here in Australia. All our products come with a 3 Year warranty on frame and castors.

Made from our own special formulated Composite plastic makes them lighter than metal Trolleys, they are easier to push, yet strong and reliable and while keeping with Occupational health and safety standards. All of Polymedic trolleys are designed and built with the end user in mind.

All Polymedic Trolleys can be Custom modified to suit your requirements. Polymedic use and recommend quality castors on all our products.



www.polymedic.com.au

sales@polymedic.com.au

Tel: 1800 426 856

Fax +61 (07) 393 633