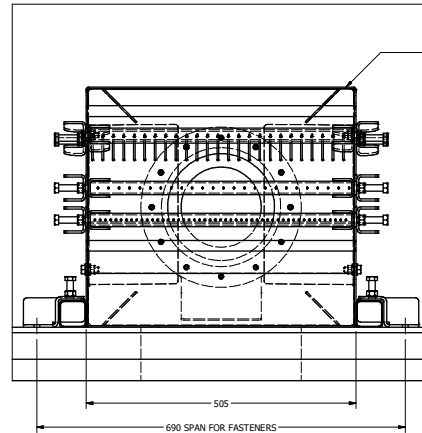
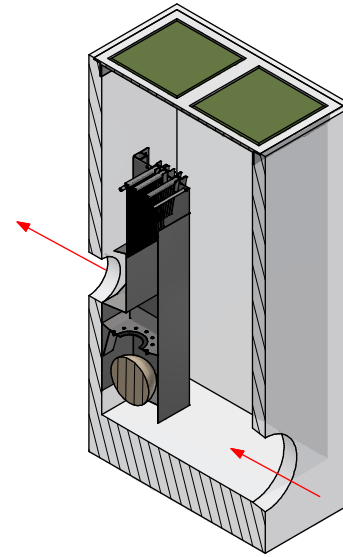


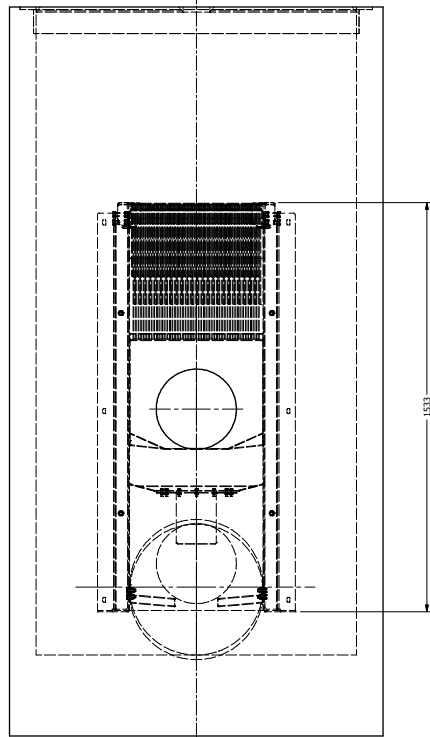
**PLAN VIEW**  
SCALE (DNS)



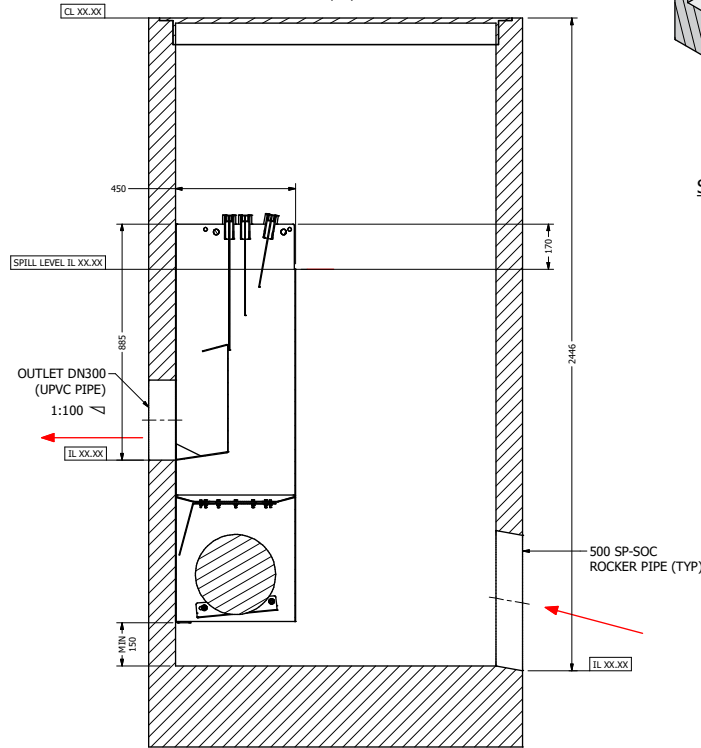
**DETAIL A**  
WALL FIXING LOCATION DETAIL  
SCALE (DNS)



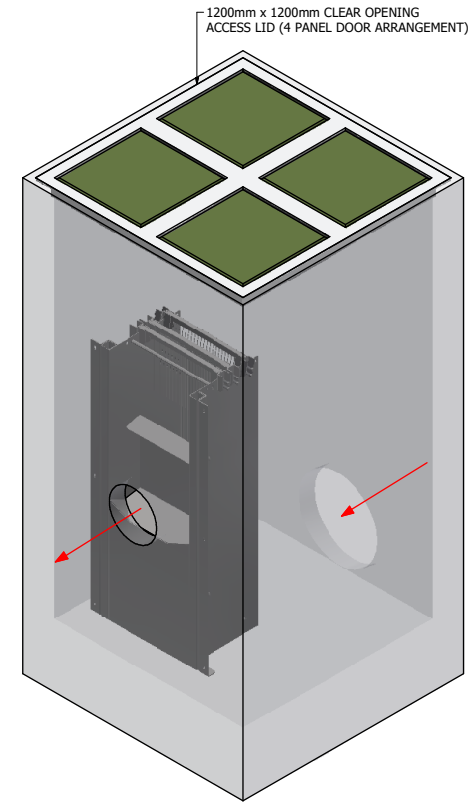
**SECTION ISOMETRIC VIEW**  
SCALE (DNS)



**FRONT ELEVATION**  
SCALE (DNS)



**SECTION A-A**  
SCALE (DNS)



**ISOMETRIC VIEW**  
SCALE (DNS)

REV	DESCRIPTION	BY	CKD	APP	DATE
A	GENERAL ARRANGEMENT - ISSUED FOR INFORMATION ONLY	BC	DD	DD	28.11.2022

**DRAPPER ENVIRONMENTAL CONSULTANTS**

12 THREEDON AVENUE  
SPRINGFIELD LANE, SUITE 1000  
SUITE 1000, 3075 30TH STREET  
EDMONTON, ALBERTA T6C 1K7  
CANADA  
TEL: 780.441.1107  
EMAIL: SALES@DRAPPERENVIRONMENTAL.COM

**GENERAL NOTES**

1. CONSULT THE DESIGNER FOR ANY CHANGES TO THE DESIGN. DRAPPER ENVIRONMENTAL CONSULTANTS SHALL NOT BE RESPONSIBLE FOR ANY CHANGES TO THE DESIGN. DRAPPER ENVIRONMENTAL CONSULTANTS SHALL NOT BE RESPONSIBLE FOR ANY CHANGES TO THE DESIGN.

2. THIS DRAWING AND THE DESIGN SHOWN HEREIN REMAINS THE PROPERTY OF DRAPPER ENVIRONMENTAL CONSULTANTS AND SHALL NOT BE ALTERED, COPIED OR REPRODUCED IN PART OR IN WHOLE IN ANY FORM WITHOUT THE WRITTEN PERMISSION OF DRAPPER ENVIRONMENTAL CONSULTANTS AND SHALL BE USED ONLY BY THE CLIENT OF DRAPPER ENVIRONMENTAL CONSULTANTS FOR THE PROJECT FOR WHICH IT WAS PROVIDED.

**TITLE:**  
WATSOL 1200 x 1200 PIT  
GENERAL ARRANGEMENT

**CLIENT:**

**PROJ REF:**

**DRAWING No:**  
STD-WAT-1200SQ

<b>DRAWN:</b> BC	<b>DATE:</b> 28.11.2022
<b>DSGD:</b> DD	<b>APP:</b> DD
<b>CKD:</b> DD	<b>APP DATE:</b> 28/11/2022

**SHEET:** 1 OF 1

**SCALE:** DNS

**REV:** A | A1