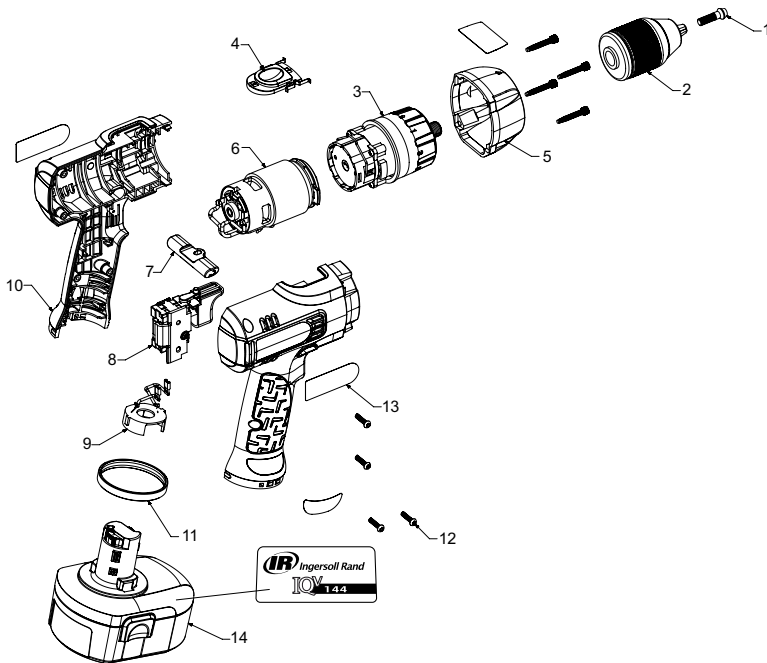


D550 Cordless Drill/Driver Exploded Diagram



(Dwg. 80227069)

D550 Cordless Drill/Driver Parts List

Item	Part Description	Part Number	Item	Part Description	Part Number
*	Chuck Kit	D550-K255	9	Battery Connector Kit	W040-K56
1	Screw, Chuck	---	-	Battery Connector	---
2	Chuck	---	-	Wire, Positive, Switch	---
3	Gear Box Assembly	D650-K750	-	Wire, Negative, Switch	---
4	High/Low Speed Switch Kit	D650-K249	10	Housing Kit	D550-K40
-	High/Low Speed Switch	---	-	Right Housing	---
-	Detents (2 Required)	---	-	Left Housing	---
5	Torque Selector Cover Kit	D650-K144	-	Nameplate	---
-	Screw, Torque Selector Cover (4 Required)	---	-	Info Label	---
-	Torque Selector Cover	---	-	Voltage Label	---
-	Warning Label	---	11	Housing Ring Kit	W040-K339
6	Electric Motor Kit	D550-K54	12	Fastener Kit	D650-K105
-	Pinion	---	-	Screw, Housing (4 Required)	---
-	DC Motor	---	-	Screw, Torque Selector Cover (4 Required)	---
-	Motor Mount Plate	---	13	Label Kit	D550-K99
-	Motor Mount Screw (2 Required)	---	-	Nameplate	---
-	Wire, Positive, Motor	---	-	Info Label	---
-	Wire, Negative, Motor	---	-	Warning Label	---
7	Forward/Reverse Actuator	W150-K75	-	Voltage Label	---
8	Trigger Kit	D650-K93	14	14.4V Ni-Cd 1QV Battery Pack	N144
				14.4V Li-Ion 1QV Battery Pack	BL144

* Not illustrated

Parts and Maintenance

When the life of the tool has expired, it is recommended that the tool be disassembled, degreased and parts be separated by material so that they can be recycled.

Tool repair and maintenance should only be carried out by an authorized Service Center.

Refer all communications to the nearest **Ingersoll Rand** Office or Distributor.

Related Documentation

For additional information refer to:

Cordless Drill/Driver Product Safety Manual 04581153.

Cordless Drill/Driver Product Information Manual 80226897.

Manuals can be downloaded from www.irttools.com.