

# ... getting you **BACK TO BIZ**



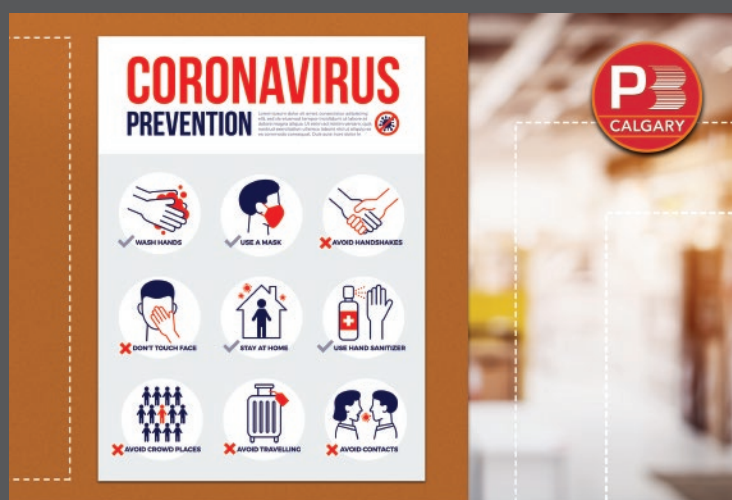
Clear Protective Barriers



Floor & Window Graphics



Laminated Specialty Graphics



Laminated Posters



Temporary Info Signs



Temporary Barrier Signage

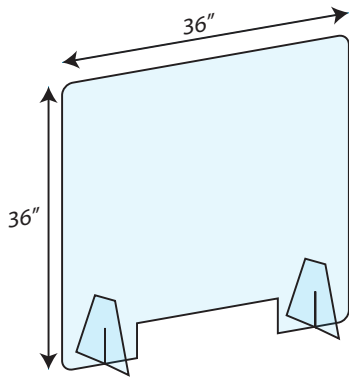
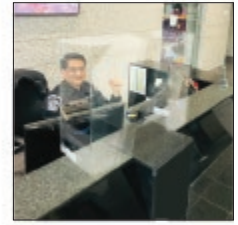
# CLEAR PROTECTIVE BARRIERS

Made from hospital-grade Polycarbonate for durability and easy cleaning.

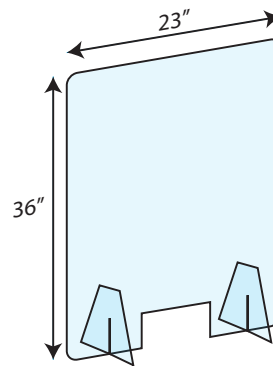
*Available Custom Built and Installed.  
Ask us for a quote!*

or

**6mm Thick Self-Assemble Stands are available in two sizes**



1-5 - \$360 each  
6-10 - \$320 each  
11+ - \$260 each



1-5 - \$240 each  
6-10 - \$220 each  
11+ - \$180 each

## FLOOR GRAPHICS

Printed on a high-quality 3M vinyl made for adhering to any flooring, and laminated with a non-skid laminate for safety and easy cleaning. We can provide templates to customize your floor graphics or design for you!



Circles or Shapes	1 - 25	26 - 50	51 - 100	101+
8" Round	\$12.50 each	\$9.00 each	\$7.50 each	Call for Quote
10" Round	\$15.00 each	\$10.00 each	\$9.00 each	Call for Quote
12" Round	\$17.50 each	\$12.50 each	\$10.00 each	Call for Quote
16" Round	\$20.00 each	\$15.00 each	\$12.50 each	Call for Quote

Other Shapes and Sizes are Available - Please Call for a Quote

## POSTERS

Printed on a high-quality vinyl made for safely adhering to any wall or glass, and laminated for easy cleaning.



Size	1 - 10	11 - 50	51 - 100	101+
8.5x11"	\$10.00 each	\$5.00 each	\$2.50 each	Call for Quote
11x17"	\$15.00 each	\$7.50 each	\$5.00 each	Call for Quote
18x24"	\$25.00 each	\$15.00 each	\$10.00 each	Call for Quote
24x36"	\$35.00 each	\$25.00 each	\$20.00 each	Call for Quote

Other Decals and Sizes are Available - Please Call for a Quote