

### Portable And Reliable Chemical Feed

A revolution in design for low-volume dosing applications: Pumps always operate under positive (flooded) suction conditions - no vapour locks or loss of prime - ideal for intermittent or continuous dosing applications.

All dosing Stations are weatherproof with enclosure ratings to IP65. Chemical tanks are made from High Density UV Stabilized Polyethelene for high chemical and weather resistance.

IWAKI can supply your dosing station 'off the shelf'.

*We Will Help You Select From:*

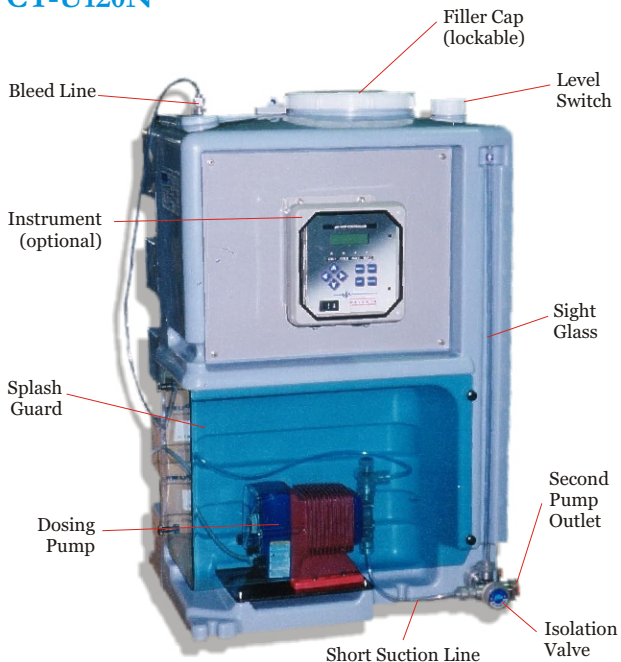
### Chemical Tanks

Available in 25, 50, and 120 Litre capacities.

### Pumps

- Simple Manual Control
- Automatic Digital Speed Control
- Automatic Analog Speed Control
- Automatic Analysis/Control for pH, ORP, or Conductivity
- Automatic Timer Control

### CT-U120N



### Instrumentation

The 120L chemical tanks have a direct mounting facility for a control instrument. You may like to choose from IWAKI's own range of pH, ORP, and Conductivity instrumentation, or mount your own instrument after supply.

### Supply

When you decide to use an IWAKI Dosing Station, you have the option for us to assemble and test it for you before dispatch - in which case, all you need to do is fill the chemical tank and plug into a standard 240 volt power outlet.

### CT-U50N

### CT-U25N



### Applications

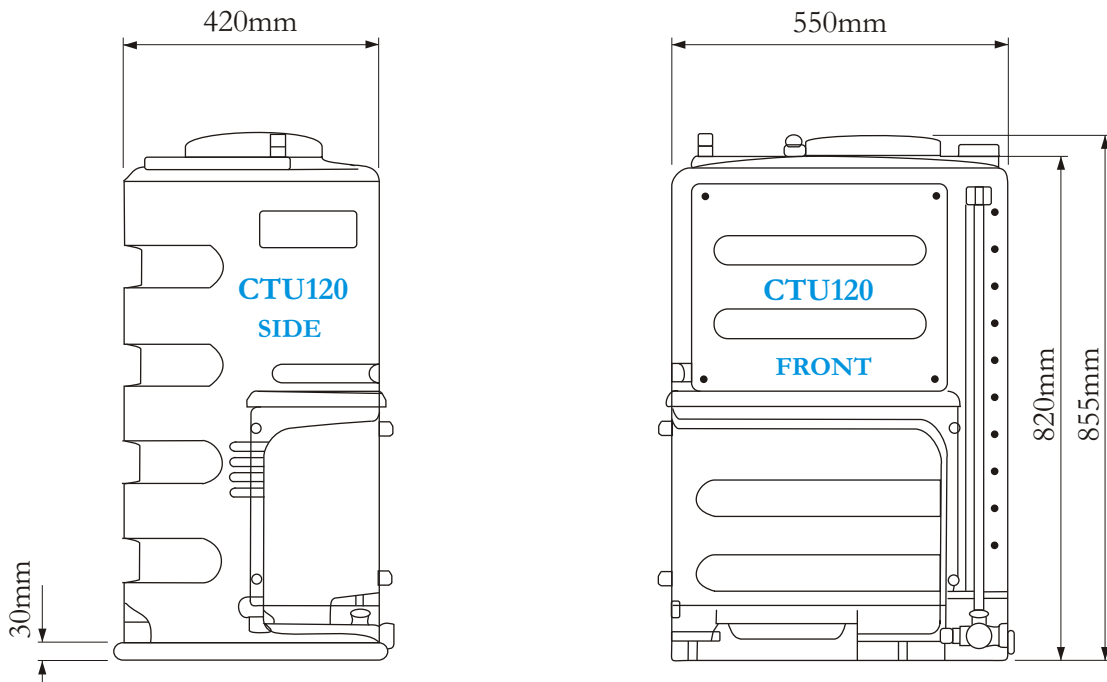
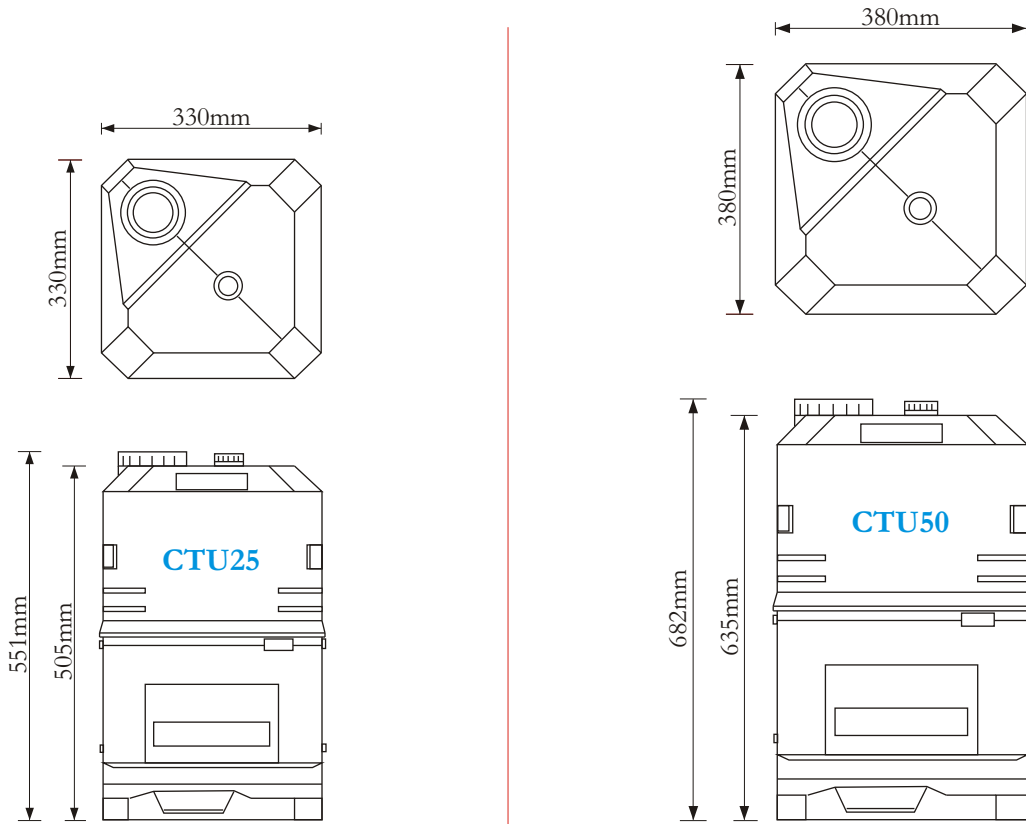
Injection of Sterilizing agents such as liquid Chlorine and Hydrogen Peroxide.

Injection of biocides, anti-scalants, and dispersants into cooling or scrubber systems.

Injection of oxygen scavengers, and inhibitors into boiler systems.

Injection of nutrients and additives.

# DIMENSIONS



Sydney (02) 9899 2411

Melbourne (03) 9558 8053

Brisbane (07) 3375 1747

