



Mobile Rock Climbing Walls

Access Area Required:

- Rock Wall towed by a standard 4WD vehicle.
- Gate entrance of 2.5m wide x 3.5m high.
- Straight access, no turns required close to any gate.
- Any trees, and over hanging branches must be above 3m on our intended access.
- We need suitable space to turn around, to exit also.

Set Up Area Required:

- A moderately flat level site is best to set the wall up.
- We can set up on any surface that can withstand the weight of the wall, 2 tonne.
- The set up area required is 6m wide x 10.5m long x 8m high.

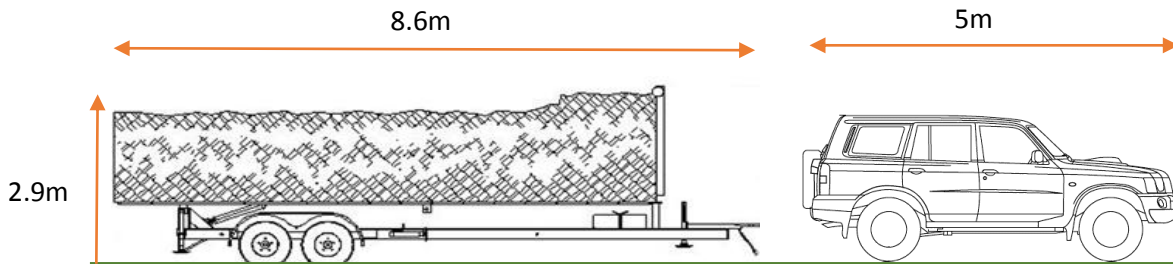
Watch this YouTube link to demonstrate our arrival and setup area required:



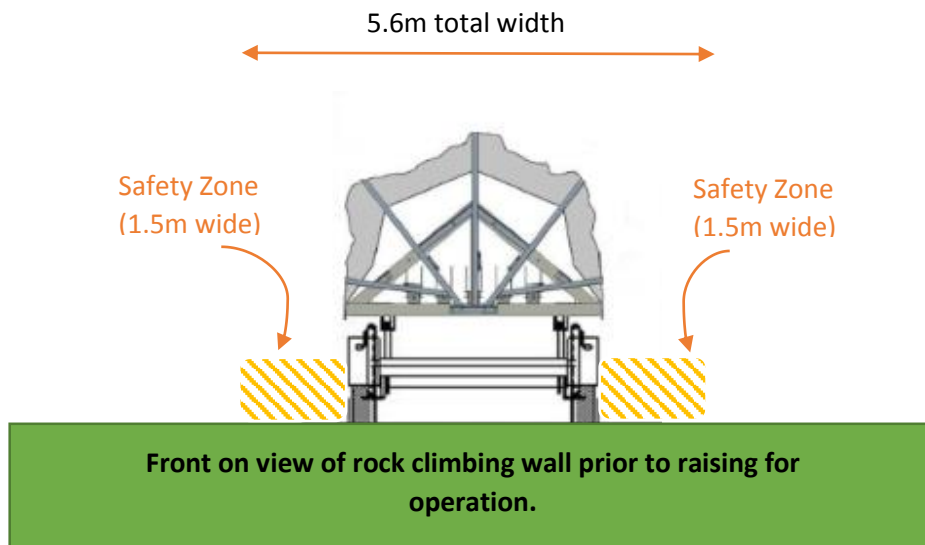
Mobile: 0403 195 162

E: info@basezero.com.au

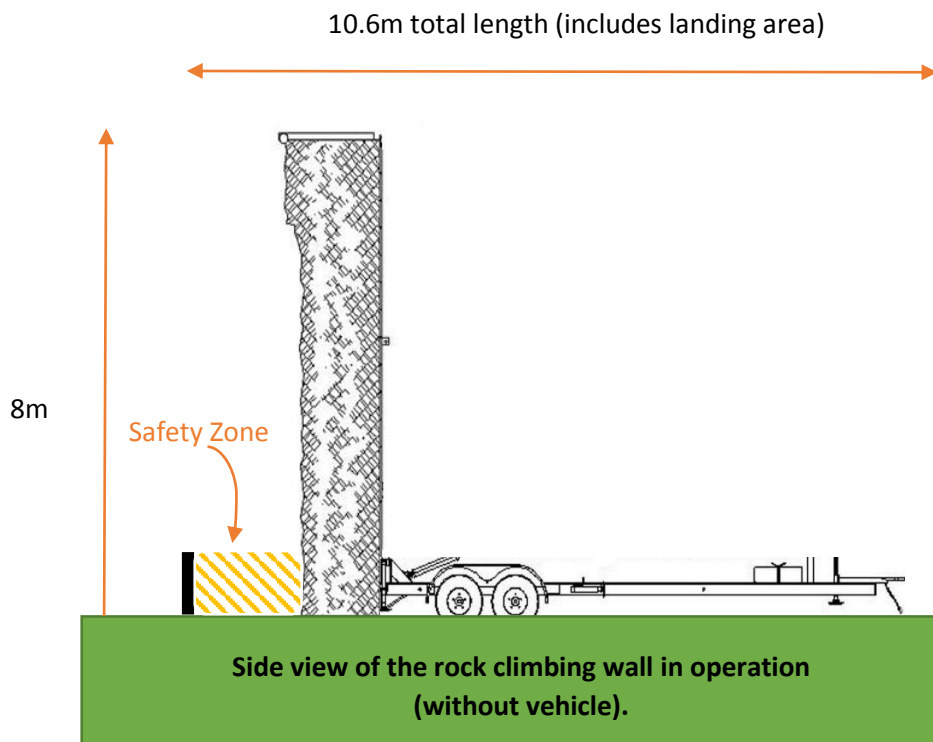
Access and Set-up Area Requirements:



Side view of the rock climbing wall with vehicle.

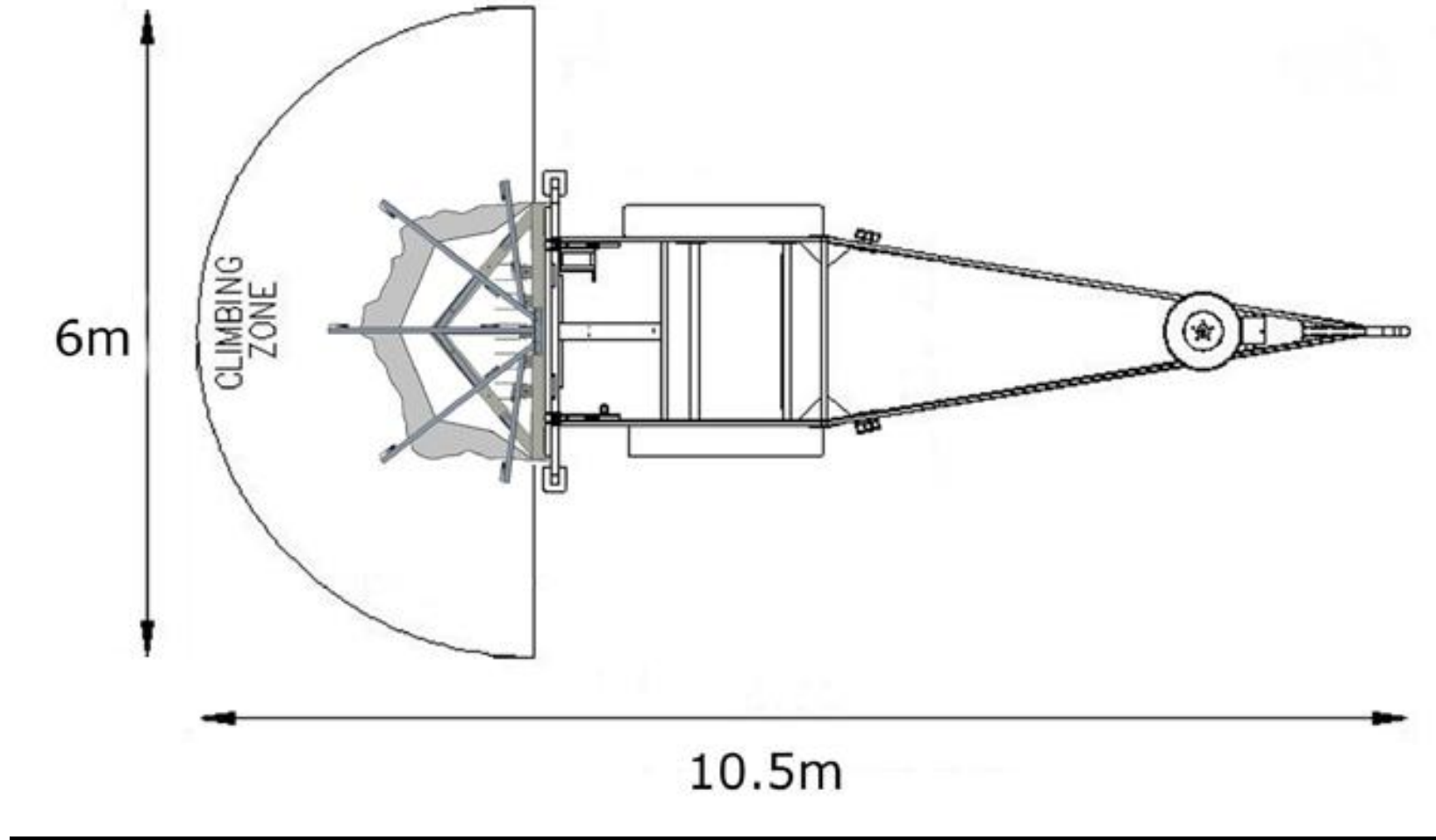


Front on view of rock climbing wall prior to raising for operation.



Side view of the rock climbing wall in operation (without vehicle).

Set-up Area – Arial View:



Maximum acceptable slopes (gradient) for a safe Set-up:

