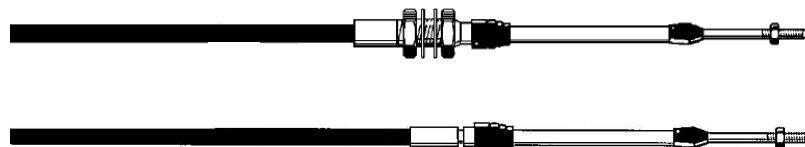
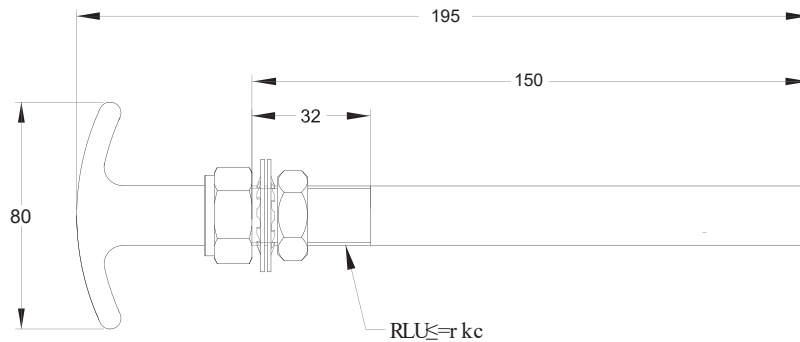


# FACT SHEET

## XCH-200 Series – Twist Lock Cables



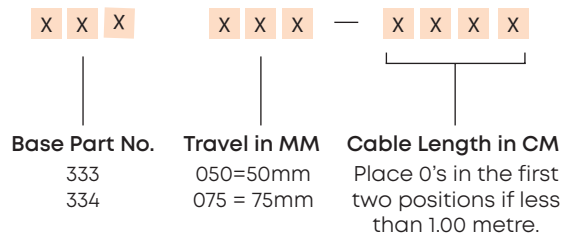
Please refer to Version 3 cable end dimensions for 50mm & 75mm cable travels on the bulkhead and clamp configurations

Cable Family	Cable Rod	End Type	Travel	Standard Base Part No.
XCH-200	10-32 unf	Threaded	50mm	333
XCH-200	10-32 unf	Grooved	50mm	334
XCH-200	10-32 unf	Threaded	75mm	333
XCH-200	10-32 unf	Grooved	75mm	334

### XCH-200 Accessories

Part Number	Product Identity
K3	Clamp and Shim Assembly
K10	Stainless Steel Pivot
21410	Clevis
21203	Stainless Steel Ball Joint

### Part Numbering System



### Key Features

- Uses Version 3 EDGE Conduit for more flexible cable
- Red 'T' handle for high visibility
- Twist handle to lock in position

### Cable Measurement

- When measuring a XCH-200 cable with a rod and sleeve, measure from the base where the "T" handle mounts to the tip of the rod and round up to the nearest 250mm increment.
- Example 334075-0100 XCH-200 cable with clamp hub 75mm travel 1.00 overall length